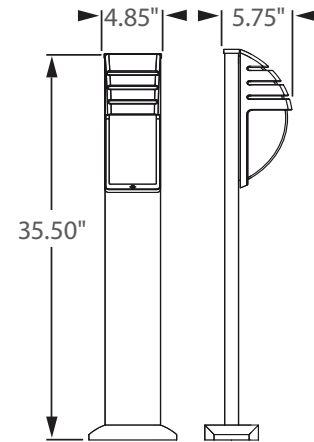




**\*\* AVAILABLE \*\***  
**0 - 10V**  
**FULL DIMMING**



Incredible **75,000 hrs**

## GENERAL DESCRIPTION

Neptun's LED bollard fixtures feature architectural design and durability to fit new construction and retrofit applications. The LED-73 series feature high output LED's and custom engineered optics to provide excellent uniformity and efficiency. They can replace existing HID & HPS fixtures up to 50W.

## APPLICATION

- Walkway Lighting
- Landscape Lighting
- Security Lighting
- Area Lighting

## STRUCTURE, MATERIALS, & FEATURES

- Die-cast aluminum housing.
- High efficiency, heat and impact resistant, UV protected, non yellowing polycarbonate lens / refractor.
- Corrosion resistant electrocoat bronze finish (custom colors available).
- Continuous silicone gasketing surrounds lens for weather - tight seal.
- Correlated Color Temperature of (5000°K) for greater visibility and safety.
- High Output COB LED's.
- High power factor, low THD driver with 10kV surge Protection.
- InstantON flicker-free Cold Start and Hot Re-Start.
- Up to 15 years Maintenance free operation.
- 5 Year Warranty on complete fixture. (LED's, Driver, & Housing)
- **Optional:** 0-10V Dimming, Remote Monitoring and ON/ OFF Control, DC 24V Operation - Solar Compatible

## ORDERING INFORMATION

Sample Number: LED-73015-UNV-0-10VDIM-850-BRZ  
 Custom options and accessories available. Please consult factory

Series	Wattage	Voltage	Options	Color Temp	Color
LED-73 = Bollard	015 = 15 W	UNV = 120-277 VAC 24VDC = 24V DC	0-10VDIM = 0-10V Dimming * Contact Factory for dimming options	835 = 3500°K 841 = 4100°K 850 = 5000°K * * Standard	BRZ = Dark Bronze <span style="display:inline-block; width:10px; height:10px; background-color:darkgray;"></span> * Custom Colors Available



### PRODUCT INFORMATION

Model No.	Description	Rated Watts	Input Watts	Initial Lumens	Universal Line Voltage (VAC)	Max Line Current (Amp) @ 120 - 277	THD	Power Factor	Weight
LED-73015-UNV	LED Bollard Fixture	15	16	1,200	120-277	0.11-0.05	<20%	>0.90	3 lbs

### SPECIFICATIONS

- Driver ..... Constant Current
- Start Method ..... InstantON
- Hot Re-start ..... InstantON
- Power Supply ..... 350mA
- Driver UL Rating ..... Class 1
- Driver UL Outdoor Rated ..... Wet Location
- Sound Rating ..... Class A
- ANSI Surge Protection ..... IEEE C62.41 C High
- Driver Off-State Draw ..... 0 Watts
- Universal Input Line Voltage ..... 120-277 VAC
- Input Line Frequency ..... 50/60 Hz
- LED / Driver System Life ..... 75,000 Hrs.
- Lumen Maintenance @50,000Hrs ..... > 70%
- Color Temperature ..... 5,000°K
- Color Rendering Index (CRI) ..... > 80
- Minimum Starting Temperature ..... -40°C
- Maximum Starting Temperature ..... +50°C
- Lumens per Watt ..... > 75
- Shock / Vibration Resistant ..... Yes
- Power Factor ..... > 0.90
- Total Harmonic Distortion ..... < 20%
- Inrush Current Peak ..... < 10 Amp
- FCC Compliance ..... Part 15, Subp. C
- Housing IP Rating ..... IP65
- Driver IP Rating ..... IP67
- Warranty ..... 5 Year

### MOUNTING OPTIONS

Ground Mount

