

Incredible **75,000** hrs

## GENERAL DESCRIPTION

Neptun's LED bollards features architectural design and durability to make it an excellent choice for new construction or retrofit applications. The LED-B91 series feature custom engineered optics for excellent illumination and uniformity. It can replace existing HID & HPS fixtures up to 100W.

## APPLICATION

- Security Lighting
- Area Lighting
- Walkway Lighting
- Landscape Lighting

## STRUCTURE, MATERIALS, & FEATURES

- Heavy-gauge, die-cast aluminum housing.
- High Efficiency, UV protected, non-yellowing polycarbonate lens.
- Corrosion resistant electrocoat black finish (custom colors available).
- Continuous silicone gasketing surrounds lens for weather - tight seal.
- High output LED's
- Bright white light (5000°K) for greater visibility and safety.
- High power factor, low THD driver.
- InstantON flicker-free Cold Start and Hot Re-Start.
- Up to 15 years Maintenance free operation.
- 5 Year Warranty on complete fixture. (LED's, Driver, & Housing)

## ORDERING INFORMATION

Sample Number: LED-BL91-015-UNV-850-BLK  
Custom options and accessories available. Please consult factory

Series	Wattage	Voltage	Color Temp.	Color
LED-BL91 = Bollard	015 = 15 W	UNV = 120-277VAC	830 = 3000°K 841 = 4100°K 850 = 5000°K* * Standard	BLK = Black <span style="display:inline-block; width:10px; height:10px; background-color:black;"></span> * Custom Colors Available



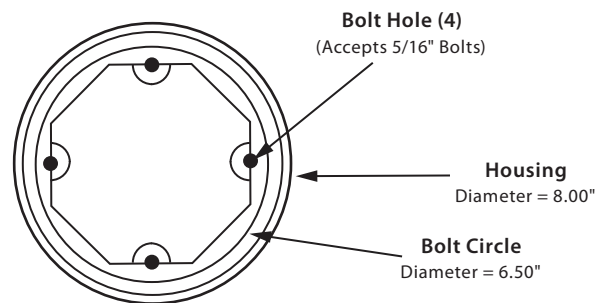
## PRODUCT INFORMATION

Model No.	Description	Rated Watts	Input Watts	Initial Lumens	Universal Line Voltage (VAC)	Max Line Current (Amp) @ 120 - 277	THD	Power Factor	Weight
LED-BL91015-UNV	Bollard Fixture	15	16	1,250	120 - 277	0.13 - 0.05	<20%	>0.90	20 lbs

## SPECIFICATIONS

- LED Driver ..... Constant Current
- Power Supply ..... 350mA
- Start Method ..... InstantON
- Hot Re-start ..... InstantON
- Universal Input Line Voltage ..... 120-277 VAC
- Input Line Frequency ..... 50/60 Hz
- Ballast Off-State Draw ..... 0 Watts
- Sound Rating ..... Class A
- ANSI Surge Protection ..... Class A
- LED / Driver System Life ..... 70,000 Hrs.
- Lumen Maintenance @50,000Hrs ..... > 70%
- Color Temperature ..... 5,000°K
- Color Rendering Index (CRI) ..... > 80
- Minimum Starting Temperature ..... -40°C
- Maximum Starting Temperature ..... +50°C
- Lumens per Watt ..... > 80
- Shock / Vibration Resistant ..... Yes
- Power Factor ..... > 0.90
- Total Harmonic Distortion ..... < 20%
- Inrush Current Peak ..... < 10 Amp
- FCC Compliance ..... Part 15, Subp. C
- IP Rating ..... IP65
- Warranty ..... 5 Year

## DRILLING PATTERN



(Bolts Not Included)