

HIGHBAY.M



FIXTURE CODE: **HBM**

LIGHT ENGINE RETROFITS

- L70 Rated life of 100,000+ hours
- Minimum CRI: 70; Custom CRI available upon request.
- Operating temp: -30° C to +60° C
- No toxic chemicals/ROHS compliant
- ETL certified, meets UL and CSA standards
- Eligible for Rebates
- 50-90% energy savings
- Manufactured in the USA

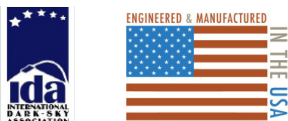
INSTALLATION

- Licensed electrician required
- Contact Noribachi for additional support

WARRANTY

- 5 year manufacturer's warranty
- **10YR** - Optional 10 year manufacturer's warranty
- US manufacturing and quality control

CERTIFICATIONS



APPEARANCE

HOUSING	LENS	MOUNTING	DIFFUSION
<ul style="list-style-type: none"> • GREY • ALUMINUM 	<ul style="list-style-type: none"> • TEMPERED GLASS 	<ul style="list-style-type: none"> • BRACKET 	<ul style="list-style-type: none"> • NONE • LUMINIT FILM

ELECTRICAL CHARACTERISTICS

- Standard AC input: up to 480 VAC
- EMI filter: 47CFR, part 2, part 15
- Power factor: >.9
- Total harmonic distortion: <20%
- Surge protection: IEC/EN 61000-4-5 EMC test standard

OPTIONAL UPGRADES

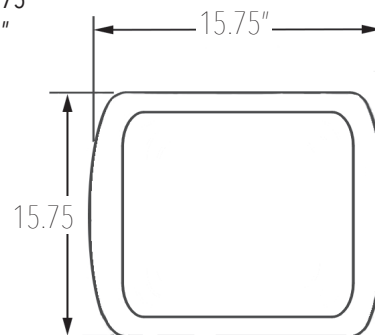
- **L515** - L515P 120V Twist Lock Plug
- **L615** - L615P 240V Twist Lock Plug
- **L715** - L715P 277V Twist Lock Plug
- **L720** - L720P 277V Twist Lock Plug
- **L820** - L820P 480V Twist Lock Plug
- **L830** - L830P 480V twist Lock Plug
- **WET** - Wet Rating
- **H3/4** - Malleable Hook with 3/4" NPS Threads
- **EM** - Emergency Battery Backup, 5w, 600 Lumens, 90 Minutes*
*MUST PROVIDE EXACT VOLTAGE REQUIREMENTS
- **CORD6** - 6' 16/3 600V STW Cord
- **HV1** - 480V up to 150W
- **HV2** - 480V greater than 150W
- **BLD** - Bi-level Dimming
- **WG** - Wire Guard
- **OS** - Occupancy Sensor
- **FS** - Frosted Lens

OPTIONAL BEAM SPREAD AND TYPE DISTRIBUTION

- **80D** - Optional 80° Beam Spread

DIMENSIONS

LENGTH: 15.75"
WIDTH: 15.75"
HEIGHT: 10"



HIGHBAY.M

AVAILABLE LIGHT ENGINE RETROFITS



HEX-105

<i>DRIVE CURRENT</i>	<i>WATTAGE</i>	<i>REPLACES</i>	<i>LUMEN OUTPUT</i>	<i>CATALOG #</i>
B	158W	400-650W	22,155lm	HEX-105-B-CW-MT-HBM

LIN-140

<i>DRIVE CURRENT</i>	<i>WATTAGE</i>	<i>REPLACES</i>	<i>LUMEN OUTPUT</i>	<i>CATALOG #</i>
B	210W	750-1000W	29,540lm	LIN-140-B-CW-MT-HBM

HEX-168

<i>DRIVE CURRENT</i>	<i>WATTAGE</i>	<i>REPLACES</i>	<i>LUMEN OUTPUT</i>	<i>CATALOG #</i>
B	252W	725-1200W	35,448lm	HEX-168-B-CW-MT-HBM

HEX-210

<i>DRIVE CURRENT</i>	<i>WATTAGE</i>	<i>REPLACES</i>	<i>LUMEN OUTPUT</i>	<i>CATALOG #</i>
B	315W	1000-1450W	44,310lm	HEX-210-B-CW-MT-HBM