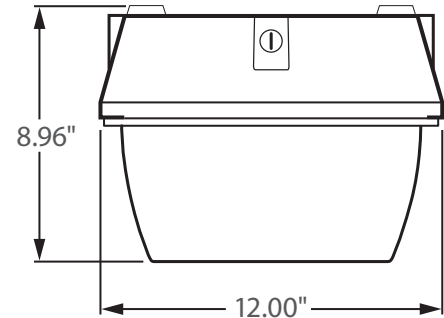




Please check latest update for complete information.
http://www.designlights.org/solidstate.about.QualifiedProductsList_Publicv2.php

**** AVAILABLE ****

Bi-Level 100%	Dimming 50%
0 - 10V FULL DIMMING	



Incredible 75,000 hrs

GENERAL DESCRIPTION

Neptun's 12" square LED canopy fixture features classic design and durability to be used in new construction or retrofit applications. The 12 series canopy fixture features excellent optics for increased visibility and security with horizontal and vertical footcandles to evenly illuminate parking garages. Can replace existing HID & HPS canopy or parking garage fixtures up to 250 Watts.

APPLICATION

- Parking Garage Lighting
- Canopy Lighting
- Gas Station Lighting
- Indoor Lighting
- Storage Lighting
- Security Lighting
- Area Lighting

STRUCTURE, MATERIALS, & FEATURES

- Heavy-gauge, die-cast aluminum housing.
- High efficiency, heat and impact resistant, UV protected, non yellowing polycarbonate lens / refractor.
- Custom designed anodized aluminum reflectors for superior illuminance.
- Corrosion resistant electrocoat dark bronze finish (custom colors available).
- Easy removal lens with (4) stainless steel screws.
- Continuous silicone gasket surrounds lens for weather - tight seal.
- High Output COB LED's.
- High power factor, low THD driver with 10kV Surge Protection.
- Instant-On flicker-free Cold Start and Hot Re-Start.
- Bright white light (5000°K) for greater visibility and safety.
- LED engine design with Advanced Thermal Management
- Up to 15 year maintenance free operation.
- 5 Year Warranty on complete fixture. (LED's, Driver, & Housing)
- **Optional:** Bi-Level Dimming, 0-10V Dimming, Remote Monitoring and ON/ OFF Control, DC 24V Operation - Solar Compatible

ORDERING INFORMATION

Sample Number: LED-12040-UNV-0-10VDIM-750-BRZ
 Custom options and accessories available. Please consult factory

Series	Wattage	Voltage	Options	Color Temp	Accessories	Color
LED-12 = 12" Square Canopy	040 = 40 W 060 = 60 W 080 = 80 W	UNV = 120-277 VAC 347V = 347 VAC 480V = 480 VAC 24VDC = 24 VDC	0-10VDIM = 0-10V Dimming BL-DIM = Bi-Level Dimming * * Includes Motion Sensor ** Contact Factory for dimming options	730 = 3000°K 741 = 4100°K 750 = 5000°K * * Standard	LD-120V = Photocell 120V LD-277V = Photocell 277V MD = Motion Detector ON/OFF	BRZ = Dark Bronze * Custom Colors Available



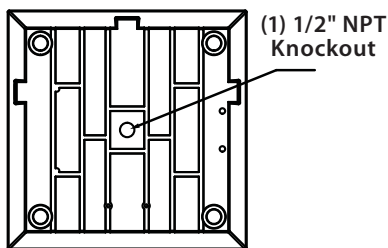
PRODUCT INFORMATION

Model No.	Description	Rated Watts	Input Watts	Initial Lumens	Universal Line Voltage (VAC)	Max Line Current (Amp) @ 120 - 277	THD	Power Factor	Weight
LED-12040-UNV	LED 12" Square Canopy	40	41	3,600	120-277	0.34 - 0.15	<20%	>0.90	12 lbs
LED-12060-UNV	LED 12" Square Canopy	60	61	5,100	120-277	0.52 - 0.22	<20%	>0.90	12 lbs
LED-12080-UNV	LED 12" Square Canopy	80	81	6,400	120-277	0.69 - 0.30	<20%	>0.90	12 lbs

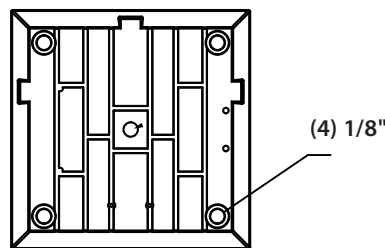
SPECIFICATIONS

- LED Driver Constant Current
- Power Supply 350mA
- Driver UL Rating Class 1
- Driver UL Outdoor Rated Wet Location
- Start Method InstantON
- Hot Re-start InstantON
- Universal Input Line Voltage 120-277 VAC
- Input Line Frequency 50/60 Hz
- Ballast Off-State Draw 0 Watts
- Sound Rating Class A
- ANSI Surge Protection IEEE C62.41 C High
- LED / Driver System Life 75,000 Hrs.
- Lumen Maintenance @50,000Hrs > 70%
- Color Temperature 5000°K
- Color Rendering Index (CRI) > 80
- Minimum Starting Temperature -40°C
- Maximum Starting Temperature 50°C
- Lumens per Watt > 80
- Shock / Vibration Resistant Yes
- Power Factor > 0.90
- Total Harmonic Distortion < 20%
- Inrush Current Peak < 10 Amp
- ETL Listed / UL Standard 1598 Yes
- FCC Compliance Part 15, Subp. C
- IP Rating IP65
- Warranty 5 Year

MOUNTING OPTIONS

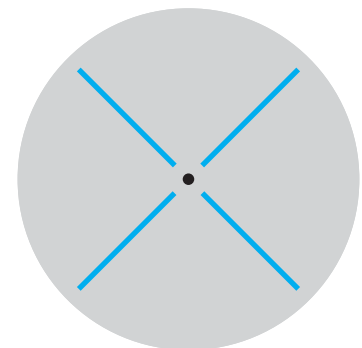


Pendant Mount



Surface Mount

PHOTOMETRICS (See Complete IES File)



Type V Distribution