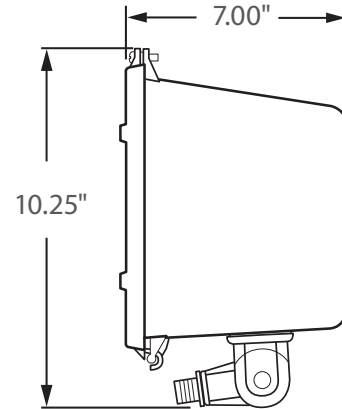




**\*\* AVAILABLE \*\***  
**0 - 10V**  
FULL DIMMING



Incredible **75,000 hrs**

## GENERAL DESCRIPTION

Neptun's LED Flood fixtures feature classic form and durability to make it an excellent choice for new construction or retrofit applications. The LED-64 series fixtures feature high output LED's and custom engineered optics to provide excellent uniformity and efficiency. It can replace existing HID & HPS fixtures up to 100 Watts.

## APPLICATION

- Building Accent Lighting
- Landscape Lighting
- Security Lighting
- Area Lighting
- Storage Area Lighting
- Sign Lighting

## STRUCTURE, MATERIALS, & FEATURES

- Heavy-gauge, die-cast aluminum housing.
- Corrosion resistant electrocoat bronze finish (custom colors available).
- Aluminum door frame incorporates stainless steel hardware.
- Adjustable 1/2" NPT mounting arm included.
- Correlated Color Temperature of (5000°K) for greater visibility and safety.
- High Output COB LED's.
- High power factor, low THD driver with 10kV Surge Protection.
- InstantON flicker-free Cold Start and Hot Re-Start.
- Up to 15 years Maintenance free operation.
- 5 Year Warranty on complete fixture. (LED's, Driver, & Housing)
- **Optional:** 0-10V Dimming, Remote Monitoring and ON/ OFF Control, DC 24V Operation - Solar Compatible

## ORDERING INFORMATION

Sample Number: LED-65040-UNV-0-10VDIM-850-LD-120V-BRZ  
Custom options and accessories available. Please consult factory

Series	Wattage	Voltage	Options	Color Temp	Accessories	Color
LED-65 = Flood	040 = 40 W	UNV = 120-277 VAC 347V = 347 VAC 480V = 480 VAC 24VDC = 24 VDC	0-10VDIM = 0-10V Dimming ** Contact Factory for dimming options	835 = 3500°K 841 = 4100°K 850 = 5000°K * * Standard	LD-120V = Photocell 120V LD-277V = Photocell 277V	BRZ = Bronze <span style="display:inline-block; width:10px; height:10px; background-color: #808080; border: 1px solid black;"></span> * Custom Colors Available



## PRODUCT INFORMATION

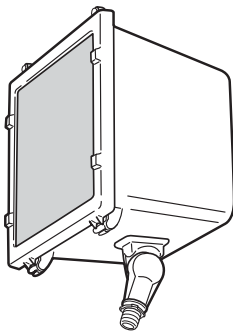
Model No.	Description	Rated Watts	Input Watts	Initial Lumens	Universal Line Voltage (VAC)	Max Line Current (Amp) @ 120 - 277	THD	Power Factor	Weight
LED-65040-UNV	LED Flood Fixture	40	42	3,600	120-277	0.34-0.15	<20%	>0.90	8 lbs.

## SPECIFICATIONS

- Driver ..... Constant Current
- Start Method ..... InstantON
- Hot Re-start ..... InstantON
- Power Supply ..... 350mA
- Driver UL Rating ..... Class 1
- Driver UL Outdoor Rated ..... Wet Location
- Sound Rating ..... Class A
- ANSI Surge Protection ..... IEEE C62.41 C High
- Driver Off-State Draw ..... 0 Watts
- Universal Input Line Voltage ..... 120-277 VAC
- Input Line Frequency ..... 50/60 Hz
- LED / Driver System Life ..... 75,000 Hrs.
- Lumen Maintenance @50,000Hrs ..... > 70%
- Color Temperature ..... 5,000°K
- Color Rendering Index (CRI) ..... > 80
- Beam Angle ..... 90°
- Minimum Starting Temperature ..... -40°C
- Maximum Starting Temperature ..... +50°C
- Lumens per Watt ..... > 90
- Shock / Vibration Resistant ..... Yes
- Power Factor ..... > 0.90
- Total Harmonic Distortion ..... < 20%
- Inrush Current Peak ..... < 10 Amp
- FCC Compliance ..... Part 15, Subp. C
- Optics IP Rating ..... IP68
- Driver IP Rating ..... IP67
- Warranty ..... 5 Year

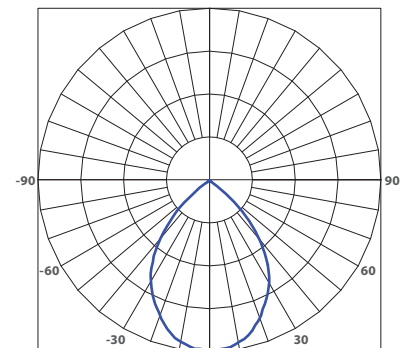
## MOUNTING OPTIONS

NPT Mount



1/2" NPT  
Mounting Arm Included  
Adjustable Tilt

## PHOTOMETRICS (See Complete IES File)



90° Beam