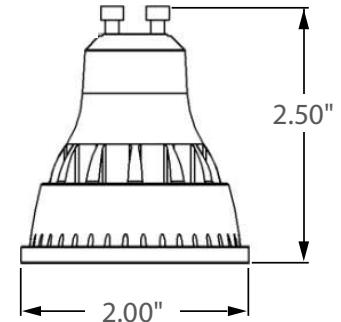


Operates on 120VAC



Incredible **25,000** hrs

GENERAL DESCRIPTION

Neptun's high performance LED MR16 - GU-10 bulbs are designed for the replacement of existing halogen bulbs up to 50W. The LED-MR16 series bulbs are offered in a variety of color temperatures for flexibility in all types of applications. Its operating voltage allows for use in 120V applications.

APPLICATION

- Suitable for use in indoor environments
- Not for use in fully enclosed fixtures
- Not for use where directly exposed to water

STRUCTURE, MATERIALS, & FEATURES

- Finned aluminum casting for excellent thermal management.
- Flat polycarbonate shatterproof lens. (Glare Free)
- Wide variety of Correlated Color Temperatures.
- High Luminous Efficacy: > 75 Lm/W
- Environmental Friendly - mercury and lead free.
- Up to 15 years Maintenance free operation.
- Integrated high efficiency driver.
- High Output COB LED's.
- RoHS Compliant.
- No UV or IR radiation.
- 5 Year Warranty.

ORDERING INFORMATION

Sample Number: LED-MR1608-120V-830-GU-10
Custom options and accessories available. Please consult factory

| Series | Wattage | Voltage | Color Temp | Base |
|-----------------|----------|----------------|--|---------------|
| LED-MR16 = MR16 | 08 = 8 W | 120V = 120 VAC | 830 = 3000°K 841 = 4100°K 850 = 5000°K 865 = 6500°K | GU-10 = GU-10 |



lightinnovations@work™

PRODUCT INFORMATION

| Model No. | Watts | Input Line Current (Amp) @ 120VAC | Power Factor | THD | CCT (°K) | CRI | Lumens | Lm/W | Base | Beam Angle |
|---------------------|-------|-----------------------------------|--------------|------|----------|-----|--------|------|-------|------------|
| LED-MR1608-120V-830 | 8 | 0.069 | >0.90 | <15% | 3,000° | >80 | 630 | 78 | GU-10 | 35° |
| LED-MR1608-120V-841 | 8 | 0.069 | >0.90 | <15% | 4,100° | >80 | 640 | 80 | GU-10 | 35° |
| LED-MR1608-120V-850 | 8 | 0.069 | >0.90 | <15% | 5,000° | >80 | 670 | 83 | GU-10 | 35° |
| LED-MR1608-120V-865 | 8 | 0.069 | >0.90 | <15% | 6,500° | >80 | 680 | 85 | GU-10 | 35° |

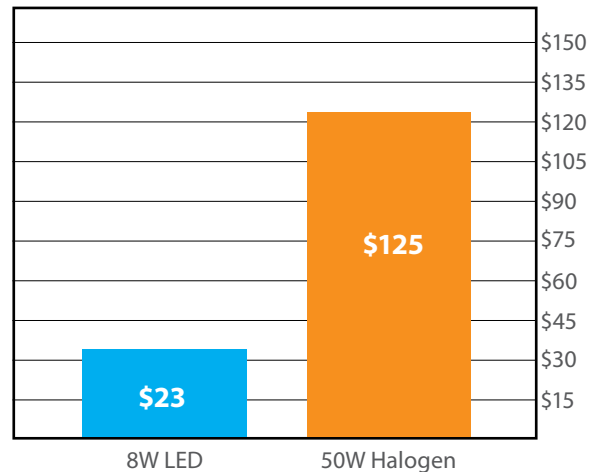
SPECIFICATIONS

- LED Driver Constant Current
- Power Supply 350mA
- Start Method InstantON
- Hot Re-start InstantON
- Operating Voltage 85-265 VAC
- LED / Driver System Life 25,000 Hrs.
- Color Temperature Various
- Color Rendering Index (CRI) > 80
- Minimum Starting Temperature -25°C
- Maximum Starting Temperature +40°C
- Lumens per Watt > 75
- Power Factor > 0.90
- Total Harmonic Distortion < 15%
- FCC Compliance Part 15, Subp. C
- Warranty 5 Year

ENERGY SAVINGS

75% Energy Savings

Operation Costs Comparison over Life of LED Bulb



*Based on \$0.10 kw/H
*12Hrs. per Day Usage

Neptun Light, Inc.
13950 Business Center Drive
Lake Forest, IL 60045
Fax: 847.735.8004

Neptun Light, Inc. reserves the right to change materials or modify the design of its product without notification as part of the company's continuing product improvement program.
©2002-2013 Neptun Light, Inc. All rights reserved. Spec. Rev. 12-2014