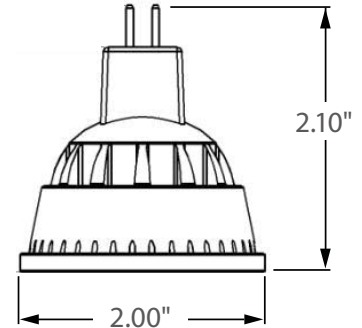


Operates on 12VDC



Incredible 25,000 hrs

GENERAL DESCRIPTION

Neptun's high performance LED MR16 bulbs are designed for the replacement of existing halogen bulbs up to 40W. The LED-MR16 series bulbs are offered in a variety of color temperatures for flexibility in all types of applications. Its operating voltage allows for use in 12VDC applications.

APPLICATION

- Suitable for use in indoor environments
- Not for use in fully enclosed fixtures
- Not for use where directly exposed to water

STRUCTURE, MATERIALS, & FEATURES

- Finned aluminum casting for excellent thermal management.
- Flat polycarbonate shatterproof lens. (Glare Free)
- Wide variety of Correlated Color Temperatures.
- High Luminous Efficacy: > 65 Lm/W
- Environmental Friendly - mercury and lead free.
- Up to 15 years Maintenance free operation.
- Integrated high efficiency driver.
- High Output COB LED's.
- RoHS Compliant.
- No UV or IR radiation.
- 5 Year Warranty.

ORDERING INFORMATION

Sample Number: LED-MR1605-12V-830-GU-5.3
Custom options and accessories available. Please consult factory

Series	Wattage	Voltage	Color Temp	Base
LED-MR16 = MR16	05 = 5 W	12V = 12 VDC	830 = 3000°K 841 = 4100°K 850 = 5000°K 865 = 6500°K	GU-5.3 = GU-5.3



PRODUCT INFORMATION

Model No.	Watts	Input Line Current (Amp) @ 12VDC	CCT (°K)	CRI	Lumens	Lm/W	Base	Beam Angle
LED-MR1605-12V-830	5	0.437	3,000°	>80	325	65	GU-5.3	35°
LED-MR1605-12V-841	5	0.437	4,100°	>80	330	66	GU-5.3	35°
LED-MR1605-12V-850	5	0.437	5,000°	>80	340	68	GU-5.3	35°
LED-MR1605-12V-865	5	0.437	6,500°	>80	345	69	GU-5.3	35°

SPECIFICATIONS

- LED Driver Constant Current
- Power Supply 350mA
- Start Method InstantON
- Hot Re-start InstantON
- Input Line Voltage 12VDC
- LED / Driver System Life 25,000 Hrs.
- Color Temperature Various
- Color Rendering Index (CRI) > 80
- Minimum Starting Temperature -25°C
- Maximum Starting Temperature 40°C
- Lumens per Watt > 65
- FCC Compliance Part 15, Subp. C
- Warranty 5 Year

ENERGY SAVINGS

75% Energy Savings

*Based on \$0.10 kw/H
*12Hrs. per Day Usage

Operation Costs Comparison over Life of LED Bulb

