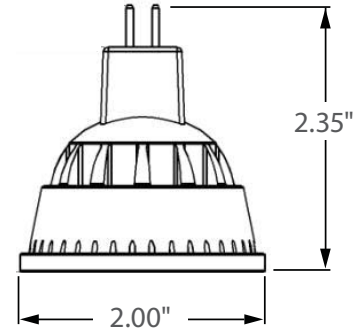


### Operates on 12VDC



### Incredible 25,000 hrs

#### GENERAL DESCRIPTION

Neptun's high performance LED MR16 bulbs are designed for the replacement of existing halogen bulbs up to 50W. The LED-MR16 series bulbs are offered in a variety of color temperatures for flexibility in all types of applications. Its operating voltage allows for use in 12VDC applications.

#### APPLICATION

- Suitable for use in indoor environments
- Not for use in fully enclosed fixtures
- Not for use where directly exposed to water

#### STRUCTURE, MATERIALS, & FEATURES

- Finned aluminum casting for excellent thermal management.
- Flat polycarbonate shatterproof lens. (Glare Free)
- Wide variety of Correlated Color Temperatures.
- High Luminous Efficacy: > 75 Lm/W
- Environmental Friendly - mercury and lead free.
- Up to 15 years Maintenance free operation.
- Integrated high efficiency driver.
- High Output COB LED's.
- RoHS Compliant.
- No UV or IR radiation.
- 5 Year Warranty.

#### ORDERING INFORMATION

Sample Number: LED-MR1608-12V-830-GU-5.3  
Custom options and accessories available. Please consult factory

Series	Wattage	Voltage	Color Temp	Base
LED-MR16 = MR16	08 = 8 W	12V = 12 VDC	830 = 3000°K 841 = 4100°K 850 = 5000°K 865 = 6500°K	GU-5.3 = GU-5.3



lightinnovations@work™

### PRODUCT INFORMATION

Model No.	Watts	Input Line Current (Amp) @ 12VDC	CCT (°K)	CRI	Lumens	Lm/W	Base	Beam Angle
LED-MR1608-12V-830	8	0.349	3,000°	>80	630	78	GU-5.3	35°
LED-MR1608-12V-841	8	0.349	4,100°	>80	640	80	GU-5.3	35°
LED-MR1608-12V-850	8	0.349	5,000°	>80	670	83	GU-5.3	35°
LED-MR1608-12V-865	8	0.349	6,500°	>80	680	85	GU-5.3	35°

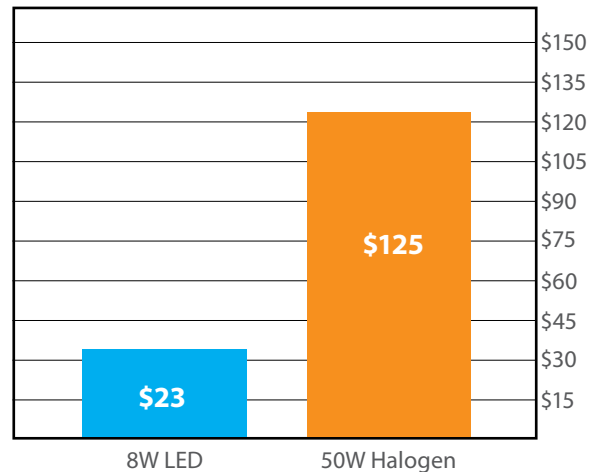
### SPECIFICATIONS

- LED Driver ..... Constant Current
- Power Supply ..... 350mA
- Start Method ..... InstantON
- Hot Re-start ..... InstantON
- Input Line Voltage ..... 12VDC
- LED / Driver System Life ..... 25,000 Hrs.
- Color Temperature ..... Various
- Color Rendering Index (CRI) ..... > 80
- Minimum Starting Temperature ..... -25°C
- Maximum Starting Temperature ..... 40°C
- Lumens per Watt ..... > 75
- FCC Compliance ..... Part 15, Subp. C
- Warranty ..... 5 Year

### ENERGY SAVINGS

## 75% Energy Savings

Operation Costs Comparison over Life of LED Bulb



\*Based on \$0.10 kw/H  
\*12Hrs. per Day Usage

Neptun Light, Inc.  
13950 Business Center Drive  
Lake Forest, IL 60045  
Fax: 847.735.8004

Neptun Light, Inc. reserves the right to change materials or modify the design of its product without notification as part of the company's continuing product improvement program.  
©2002-2013 Neptun Light, Inc. All rights reserved. Spec. Rev. 12-2014