

CLP-ACRN

LED Architectural Fixture

DESIGN - QUALITY



Crystal 
Lighting



CLP-ACRN architectural LED Fixture, suitable for wet locations. Perfect for lighting up residential exteriors, Walkways, Perimeters, School Campuses, Industrial / Commercial Spaces, Parking Lots, Recreational Parks. This fixture has a wide light distribution. Comes with a 10 year warranty.

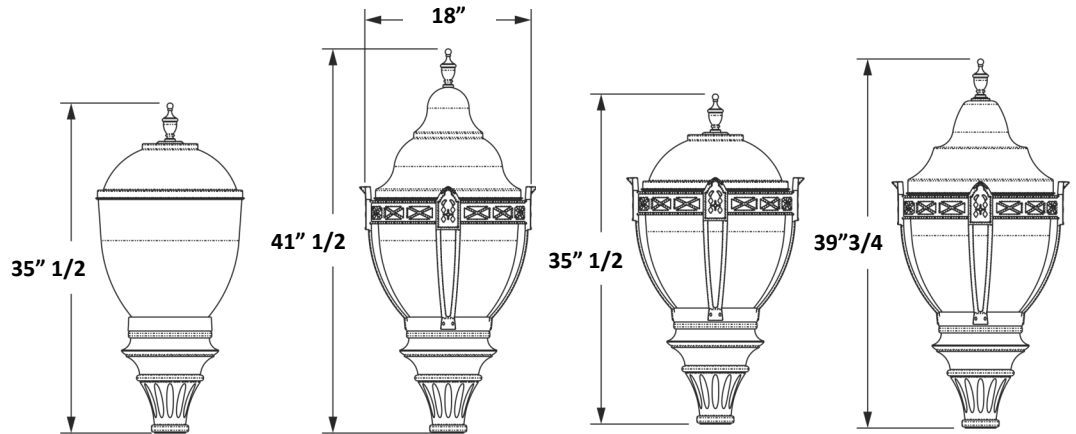
FEATURES.

- Energy Savings: Over 66% compared to HID light sources.
- Improved lumen maintenance.
- High efficient Phillips Lumiled LED's.
- Operating temperatures: -30°C ~ 60°C.
- Driver: Constant current, 120-277v, 50/60Hz, 480v (Optional).
- Suitable for wet locations.
- Dimming, Occupancy Sensors, Photo Cell and Wireless Controls capable (optional).
- Operating Life: >200,000 hours

CONSTRUCTION.

- Housing is Heavy-Duty Cast Aluminum Base.
- Powder Coat Bronze Finish (Standard). Various colors available (custom).
- Clear Prismatic Acrylic Type 5 (Standard), Clear Prismatic Polycarbonate Lens (optional).
- Silicone Gasket to prevent leakage and provide weather-tight protection.
- Mounting: Comes ready to mount Over 3"O.D Tenon or Pole (Standard), for 4" O.D, Pole Adapter is Required (Optional)

EPA	2.3
WEIGHT	22 lbs.



CLP-ACRN AVERAGE HEIGHT AND DIAMETER

Example: (CLP-ACRN-CG1-FT1-TP1-LLA-24CLEd-40K-MV-BZ PC-FN1)

CAT#	CAGE	FITTER	HARD TOP	LENS	WATTS	CCT	VOLTAGE	FINISH	OPTIONS
CLP-ACORN (CLP-ACRN)	CAGE1 (CG1)	FITTER 1 (FT1)	TOP 1 (TP1)	<u>Acrylic Lens.</u> LARGE LENS A (LLA)	25W (25CLEd)	2700K (27K)	120-277V (MV)	Bronze (BZ)	Motion Sensor (OCS)
		FITTER 2 (FT2)	TOP 2 (TP2)	SMALL LENS A (SLA)	40W (40CLEd)	3000K (30K)	347-480V (48V)	Gray (GRY)	Button Photo Cell (PC)
		FITTER 3 (FT3)	TOP 3 (TP3)	LENS B (LB)	60W (60CLEd)	3500K (35K)		Black (BK)	Wireless controls (WC)
		FITTER 4 (FT4)		LENS C (LC)	80W (80CLEd)	4000K (40K)		White (WH)	Type 3 lens (TYP3)
		FITTER 5 (FT5)		LENS D (LD)		5000K (50K)		Custom (CST)	Type 5 lens (TYP5)
		FITTER 6 (FT6)		LENS E (LE)		5700K (57K)			Polycarbonate Lens (PLY)
				<u>Glass Lens.</u> LENS GA (LGA)		6500K (65K)			<u>Decorative Finial</u> Finial 1 (FNL1) Finial 2 (FNL2)

CAGE 1

CAGE 1 / TOP2

DECORATIVE BASE FITTERS



CLP-ACRN-FT1-LA



CLP-ACRN-FT3-CG1-LE



CLP-ACRN-FT1-CG1-TP2-LA



FITTER 1



FITTER 2



FITTER 3



FITTER 4



FITTER 5



FITTER 6

ACRYLIC LENSES



SMALL & LARGE LENS A



LENS B



LENS C



LENS D



LENS E

GLASS LENS



LENS GA



HARD TOP 1



HARD TOP 2



HARD TOP 3

FINIALS

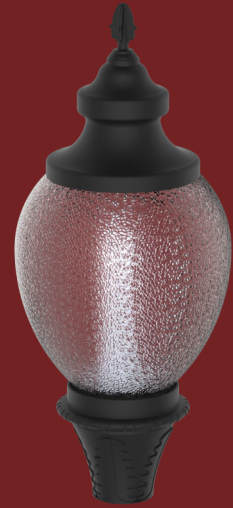
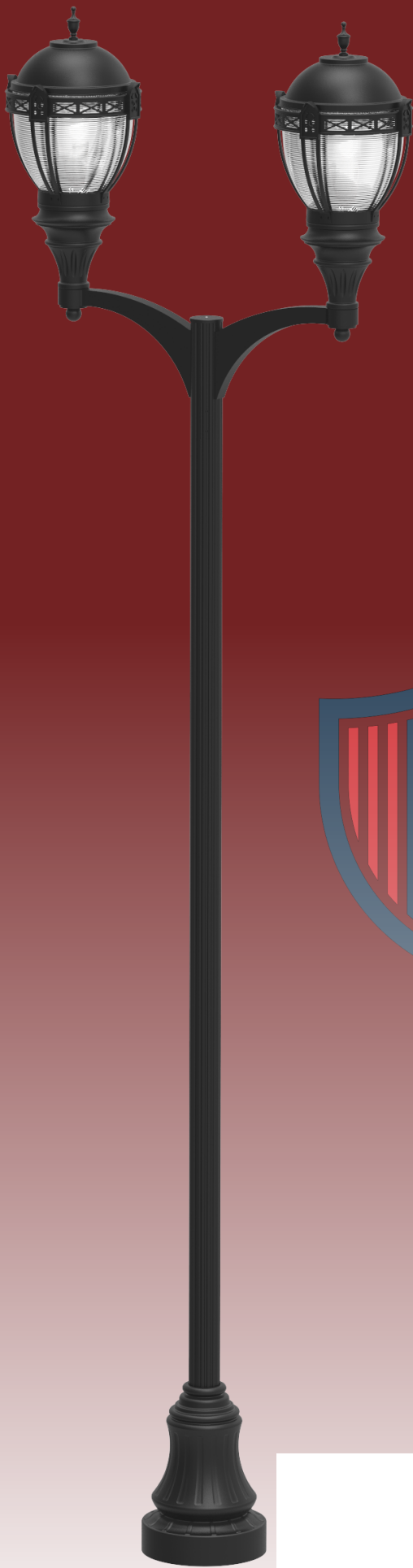


FINIAL 1



FINIAL 2

Model Number	INPUT POWER	LUMEN OUTPUT	SCOPTIC	COLOR TEMP (CCT)	CRI	RATED LIFE (L70)	INPUT VOLTAGE	INPUT FREQUENCY	HID Equivalent
CLP-ACRN-20CLED	25W	2,750	4,530	5000K	70+	>200,000	120-277V	50/60HZ	100w MH
CLP-ACRN-40CLED	45W	5,504	8,806	5000K	70+	>200,000	120-277V	50/60HZ	150w HPS
CLP-ACRN-60CLED	65W	8,256	13,622	5000K	70+	>200,000	120-277V	50/60HZ	250w PSMH
CLP-ACRN-75CLED	80W	9,590	15,344	5000K	70+	>200,000	120-277V	50/60HZ	250w HPS



All products are proudly manufactured and/or assembled in the USA