



# LED Backlite Panel Light

## Product Description

LED SION BACKLITE PANEL light use BACKLITE CCT CHANGEABLE CHIPS, instead of edge-lite leds which cause yellowish problem, the backlite will eliminate yellow problem once for all.

130lumen per watt, high efficiency, Replace 100-150W fluorescent tubes.

## Advantage

- ETL DLC PREMIUM approved.
- Input voltage 100-277VAC.
- No UV or IR in the beam.
- Easy to install and operate.
- Energy saving, long lifespan.  
Light is soft and uniform, safe to eyes.
- Instant start, NO flickering, NO humming.
- Green and eco-friendly without mercury.
- Output constant current lever can be adjusted through output cable with 1-10V.



## Applications

Replaces fluorescent gird, offices, schools, hospitals, libraries, corridors and stairwells, etc.



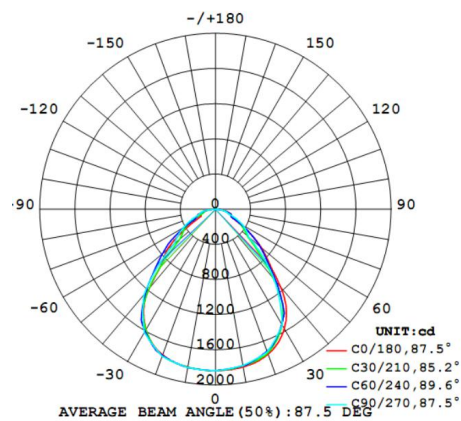


# LED Backlite Panel Light

## Specifications

Model No.	LSB2440W-aaK
Input Power	40W
Lumen	5200lm
Lumen Efficiency	130LM/W
Color Temperature	3000K, 4000K, 5000K
CRI	>80
Viewing Angle	120 Degree
Input Voltage	100-277VAC 50/60Hz
PF	≥0.9
THD	≤20%
Driver Brand	UL brand driver
LED Brand	Philip
LED Type	SMD2835
Dimmer	0-10V Dimming/Triac dimming/DALI Dimming
Housing	Aluminum+PC
Housing Color	White
Waterproof Rating	IP20
Operating Temperature	-40°C TO 45°C
Operating Humidity	20%-90% RH
Storage Temperature	-40°C TO 80°C
Storage Humidity	10%-95% RH
Warranty Time	5 Years

## Photometrics





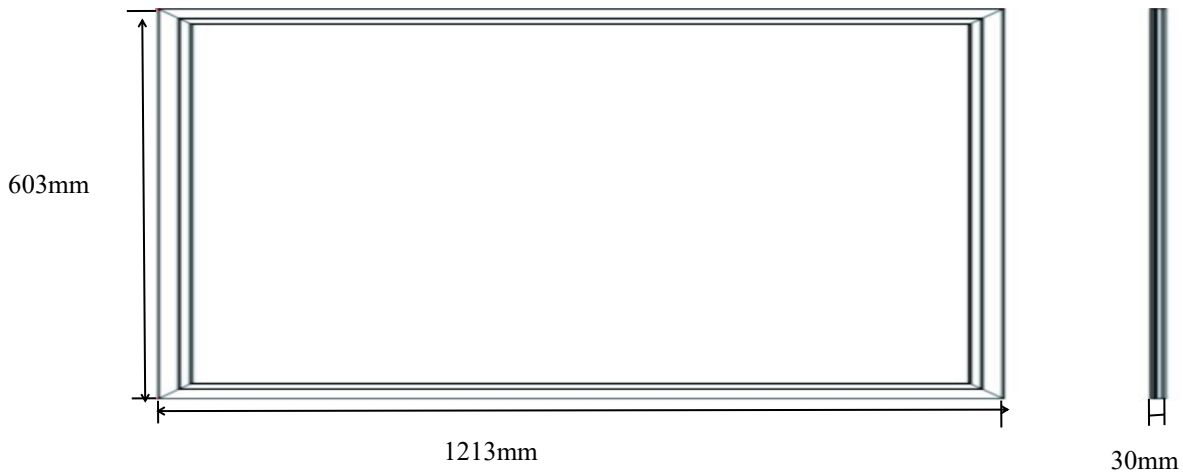
# LED Backlite Panel Light

## Projected LED Lumen Maintenance

Operating hours	0	25000	50000
Lumen maintenance factor	1	0.91	0.8

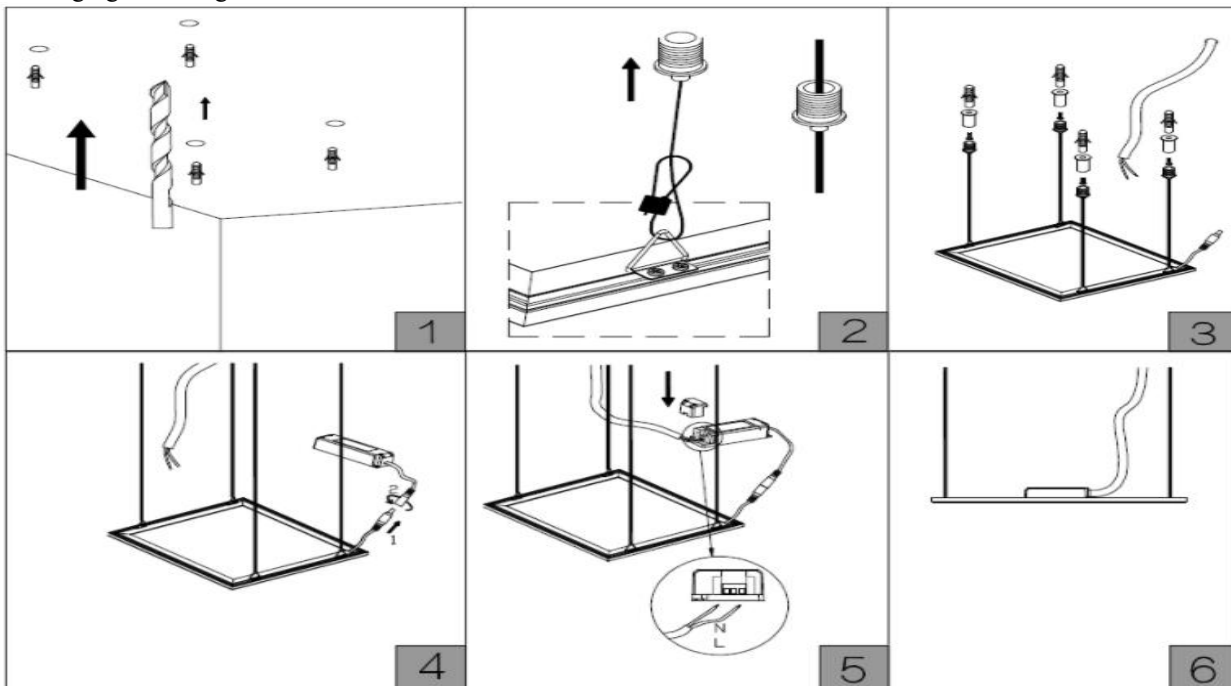
Data references the extrapolated performance projections for the Linear Highbay LED platform in a 25°C ambient, based on 10,000 hours of LED testing (tested per IESNA LM-80-08 and projected per IESNA TM-21-11).

## Dimensions(mm)



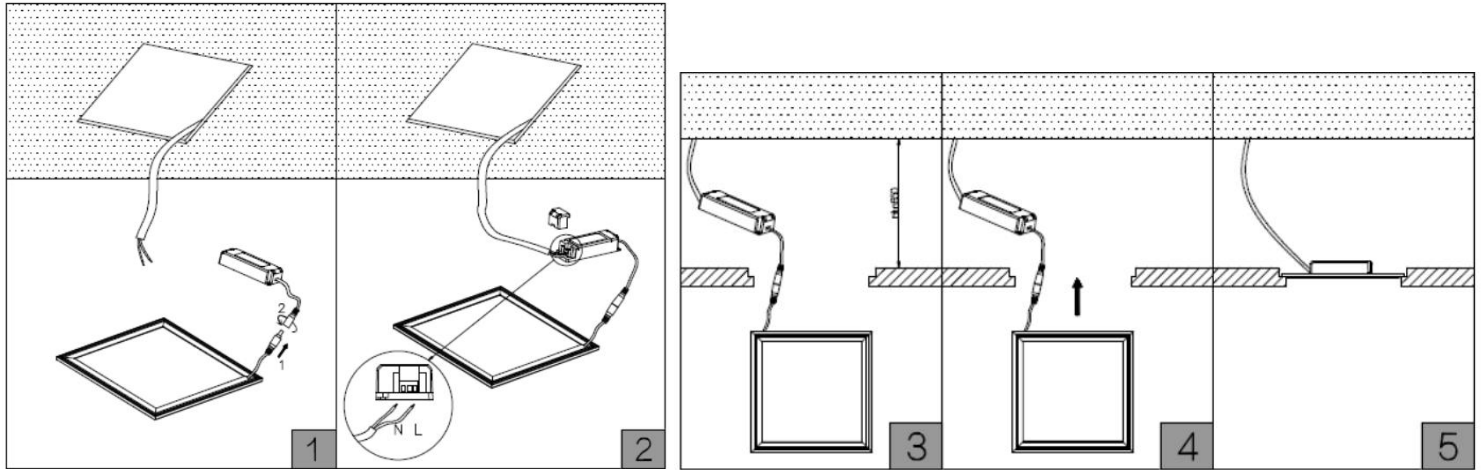
## Installation instruction

### 1. Hanging mounting

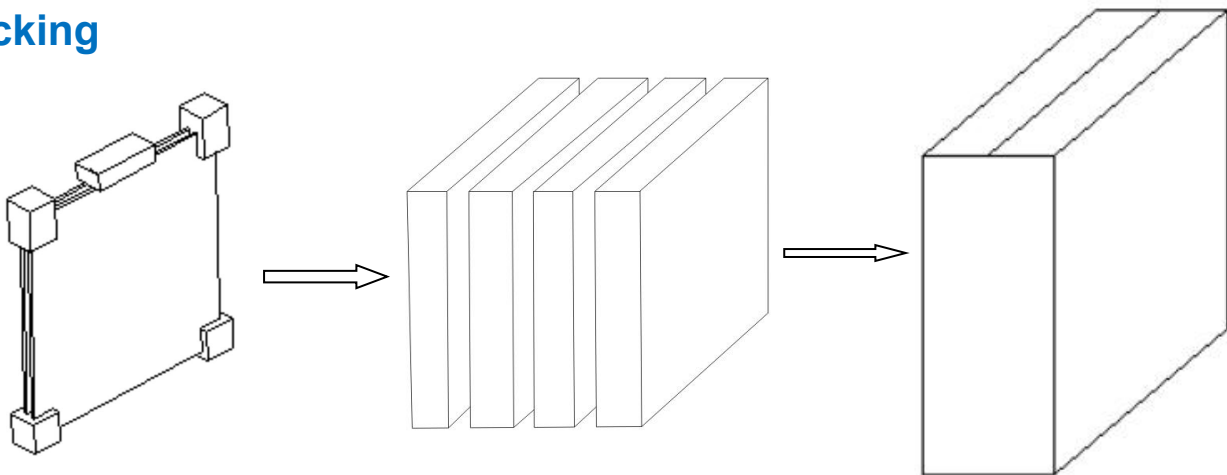


9.  
10.

## 2.Recess mounting



## Packing



## Notice for User

Please turn off power before install or change assembly parts.  
The input voltage and lamps should be matched, after connecting the power line,  
Please make sure the wiring section is insulated.  
No-professionals, must not install and disassemble the lamps.

## After-sale Service

The product refers to electrics knowledge. Please don't disassemble it by yourself.  
If any quality problem happens, please contact the factory for warranty details.  
NOTE: Actual performance may differ as a result of end-user environment and application. All values are without notice.