



Post Top Acorn



Description

The LITELUME™ LED POST TOP ACORN (LL-PTA) features an anti-corrosion, electrostatic polyester powder coated heavy duty die-cast aluminum housing for long-lasting durability. Glare free polycarbonate lens, radiator heat-releasing design and beautiful finished look makes this post top luminaire an excellent choice.

Applications: Municipality, Pathway, Perimeter, Pedestrian and Walkway lighting.

Fixture Information

Size:	45W/60W
Housing:	Die-cast Aluminum Housing
Finish:	Protective powdercoat
Color:	Standard: Bronze, Black Custom Options: White (WH) and Gray (GY)
Mounting:	Tenon fits 2 3/8" standard OD
Power Factor:	.95
Voltage:	Standard: 120-277V
Sensor:	Standard: No sensor
Warranty:	10-Year Limited Warranty

Performance Data

Lumen Output:

2840 to 4200 lm

Lumens Per Watt (typical):

63 to 70 lm/W

CCT:

3000K
4000K
5000K

Distribution:

T5

Lifespan:

100,000 hours

Ratings & Certificates

ETL Listed for Wet Location
IP65 Listed

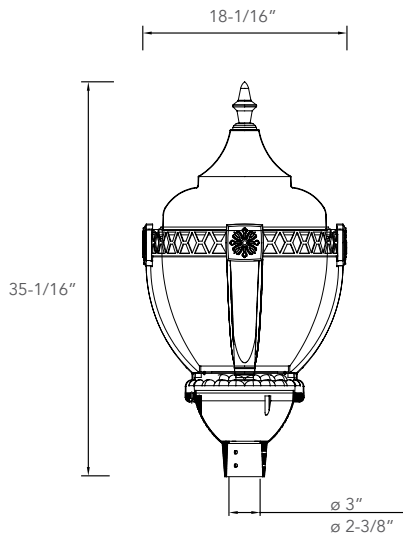


Intertek



Dimensions

Item	Diameter	Length
Post Top Acorn	18.06"	35.06"



Photometric Data

