



## ■ Features

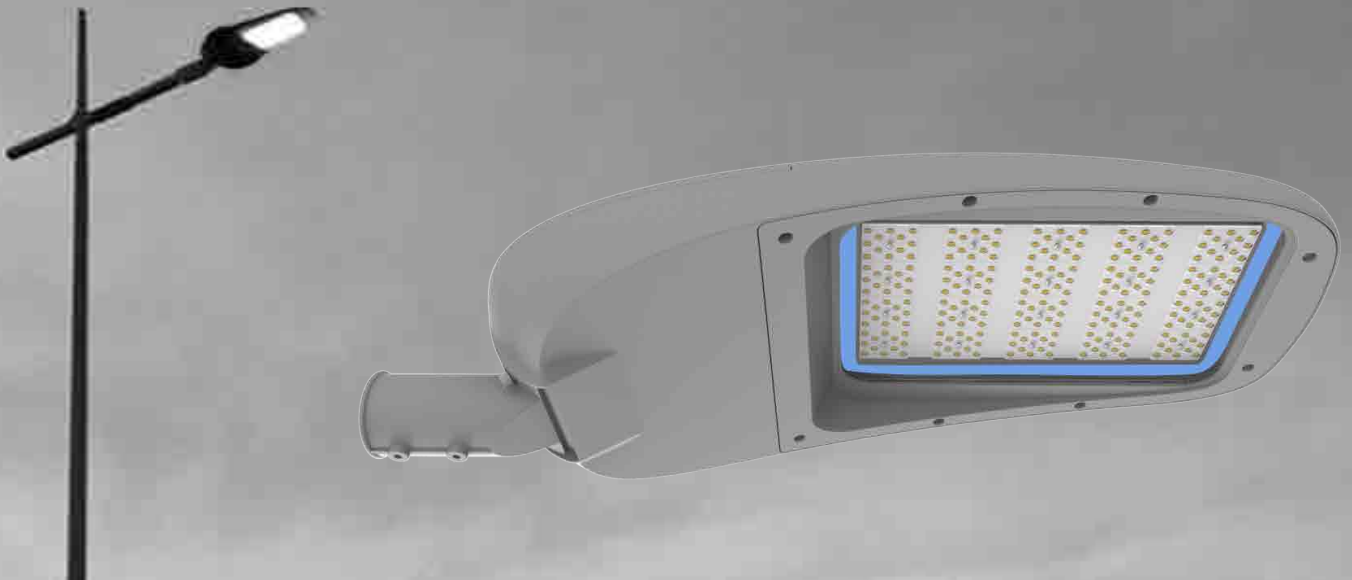
- Efficacy 135 LPW.
- Slim Cobra Head Design.
- One-piece Die-cast Aluminum Housing With Integral Mounting For Strength And Durability.
- Easy Installation, Direct Slide-in Mount.
- Tool-free Access To Mounting And Electrical Components.
- IP66, Water and Dust Proof.
- Five Years Warranty
- ETL, DLC, CE , RoHS



## ■ Typical Applications

- Road Way Lighting.
- Walkway Lighting.
- Plaza Lighting.
- Area Lighting.





## ■ Specifications

### PERFORMANCE

LED Chip	Philips Lumileds
Color Temperature	4500~5500K (2500~5500K Optional)
CRI	≥70
Lumen Maintenance	L70>100,000 Hours (Calculated Using Tm-21 Calculator)
Input Voltage	100-277 VAC / 200-480 VAC
Power Factor	0.95 Minimum
Surge Protection	6KV / 20KV
IP Rating	IP66
IK Rating	IK09

### ENVIRONMENTAL

Operating Temperature	-30 to 45°C (-22 to 113°F)
Storing Temperature	-40 to 80°C (-40 to 176°F)
Humidity	15% to 95% RH

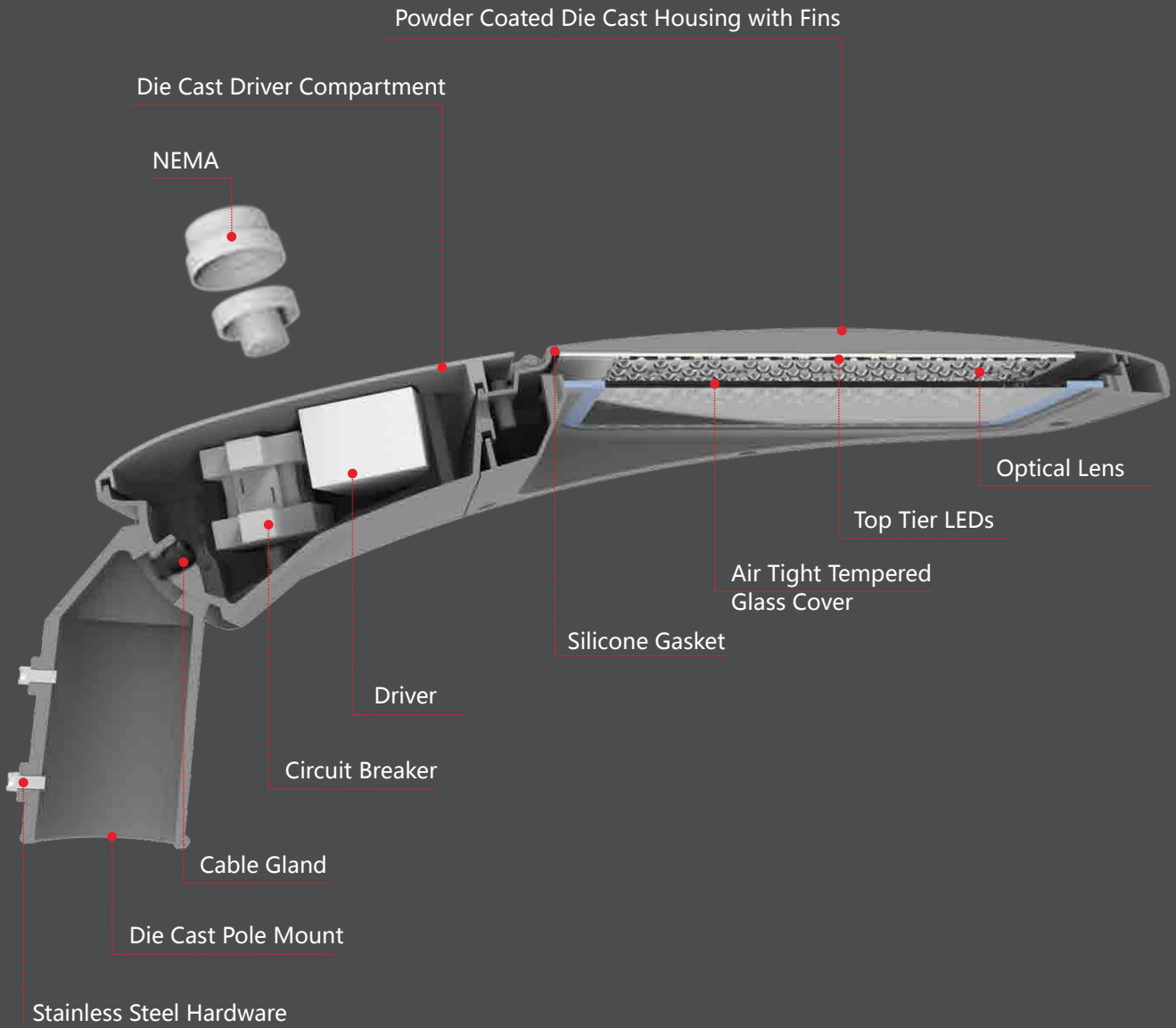
### PHYSICAL

Fixture Material	Aluminum Alloy
WARRANTY	5 Years

# Phantom™ Fixture Profile



# Phantom™ Fixture Profile





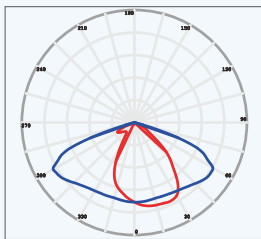
## ■ Specifications

Picture	Part#	Power	Efficacy(IES)	Total Lumen	N.W	Product Dimensions
	EO-STPT-30	30W	135 lm/W	4,050lm	4.0kg/8.8lbs	520x212x90mm 20.5x8.3x3.5in
	EO-STPT-60	60W	135 lm/W	8,100lm	5.5kg/12.1lbs	616x259x186mm 24.3x10.2x7.3in
	EO-STPT-90	90W	135 lm/W	12,150lm	5.5kg/12.1lbs	616x259x186mm 24.3x10.2x7.3in
	EO-STPT-120	120W	135 lm/W	16,200lm	7.5kg/16.5lbs	677x305x187mm 26.7x12x7.4in
	EO-STPT-150	150W	135 lm/W	20,250lm	7.5kg/16.5lbs	677x305x187mm 26.7x12x7.4in
	EO-STPT-200	200W	135 lm/W	27,000lm	11.5kg/25.4lbs	850x366x198mm 33.5x14.4x7.8in

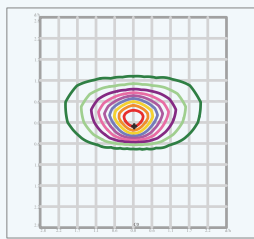


## ■ Photometrics

70 x 140 (TYPE II -S)

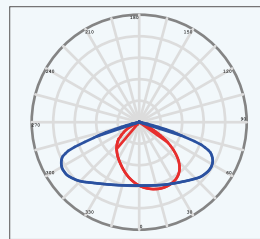


— 0.0~180.0  
— 90.0~270.0

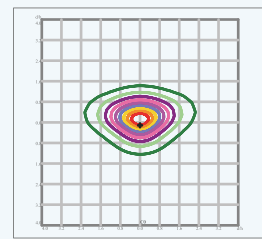


Mount Height(m): 6

90 x 145 (TYPE II -S)

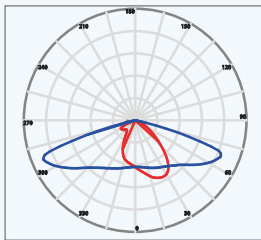


— 0.0~180.0  
— 90.0~270.0

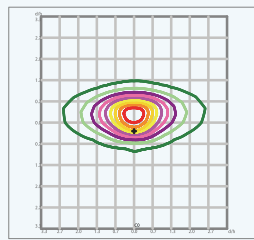


Mount Height(m): 5

70 x 150 (TYPE II -M)



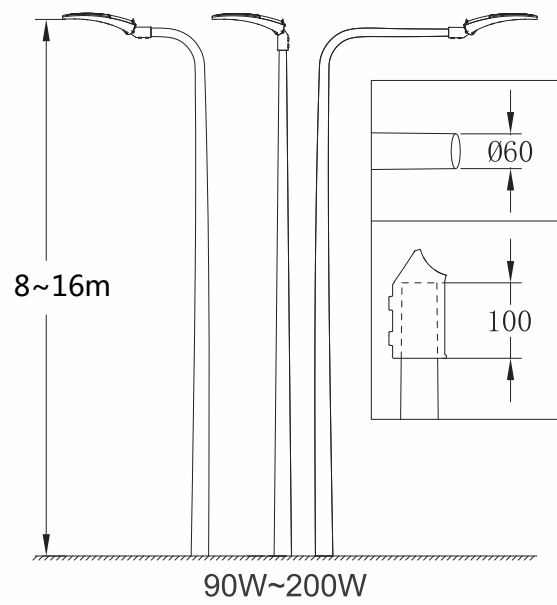
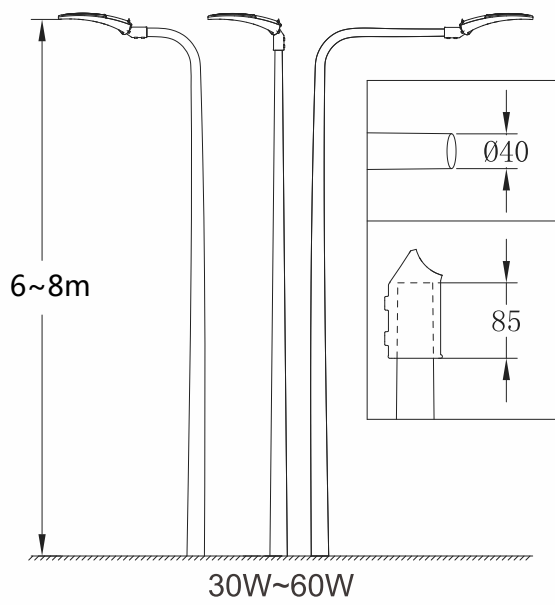
— 0.0~180.0  
— 90.0~270.0



Mount Height(m): 6

## ■ Installation

For high performance and long term reliability, the light should be installed in free air.

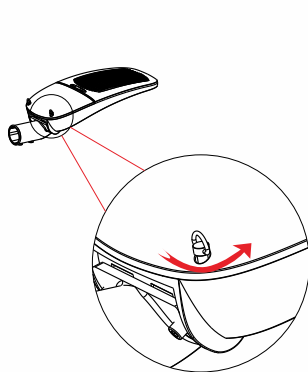


## ■ Installation

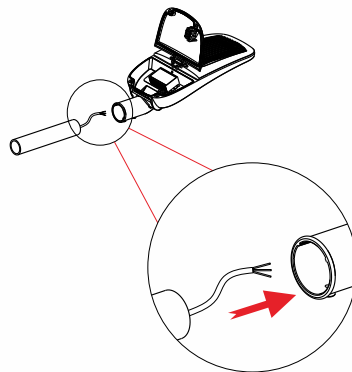
For high performance and long term reliability, the light should be installed in free air.

### Slip Fitter Mount

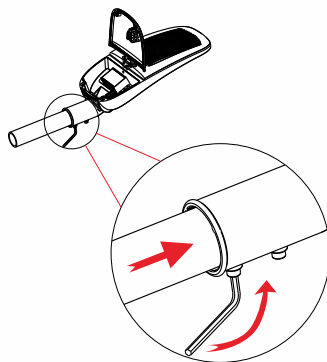
1. Unlock the screws, adjust the angle of slip fitter.
2. Feed the power cord through the pole and make wiring.
3. Slide the fixture onto the pole, lock the screws.



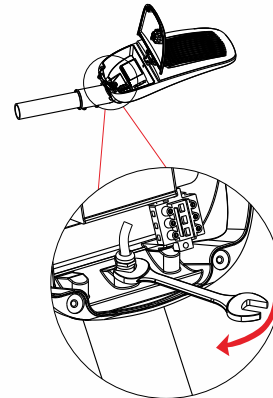
A. Open driver compartment



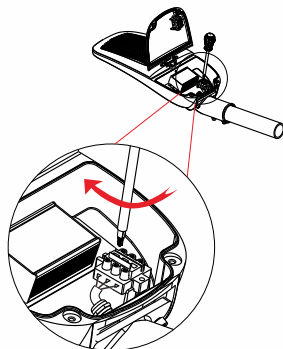
B. Pull cable through into driver compartment



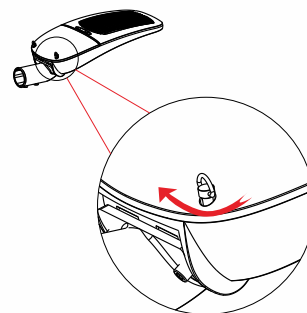
C. Tighten screw to secure lamp to the pole



D. Tighten the waterproof cable gland



E. Make all wire connection



F. Close and lock driver compartment