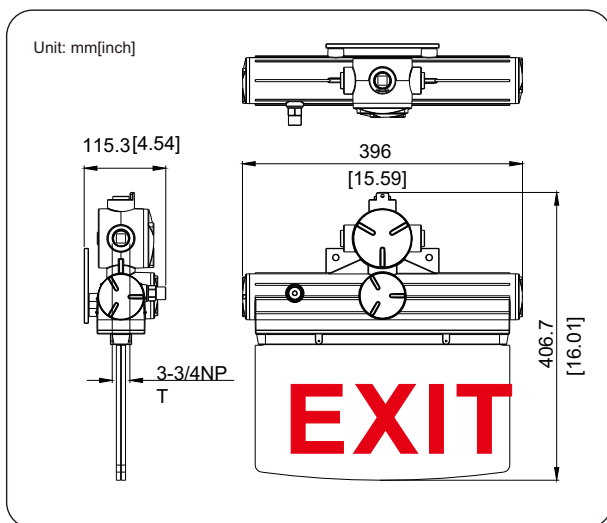


Basic Data

Product Number	Wattage	Color Temp.	Voltage	Emergency time	Warranty
EX-3W JC1D2	3	Red	100-277V	3 Hours	5 years
EX-7W JC1D2	7	Red	100-277V	3 Hours	5 years
EX-11W JC1D2	11	Red	100-277V	3 Hours	5 years
EX-13W JC1D2	13	Red	100-277V	3 Hours	5 years

EX for explosion proof product, "J"=Product code, C1D2 for max protection level

Dimensions



Advantages

- 1,Extremely long lifespan.
- 2,High durability and reliability.
- 3,Low working wattage for energy saving.
- 4,Light weight and reasonable size.
- 5,High vibration and impact resistant.
- 6,Fully electrical circuit control.
- 7,Completed automatic control.
- 8,1/2" NPT conduit hubs.
- 9,T6 Temperature Rating.

Approvals

Marking Atex	II2 G Ex db IIB T6 Gb II2 D Ex db IIIC T80 Gb IP66
Marking IECEX	Ex db IIB T6 Gb Ex db IIIC T80 Gb IP66
Marking UL844/924 <small>(North American)</small>	Class I,Division 2,Groups A,B,C,D Class II,Division 1,Groups E,F,G Class II,Division 2,Groups E,F,G Class III
Marine Marking	UL 1598A ABS and DNV Type Approved
Other Rating	IP 66, NFPA 101 IK 10

Technical Data

Ambient temperature: -30°C to +60°C
 Power: 3~13W
 Rated voltage: AC100-277V
 Frequency: 50/60Hz
 Battery Warranty: 3 Years
 Enclosure material: Copper free aluminum alloy