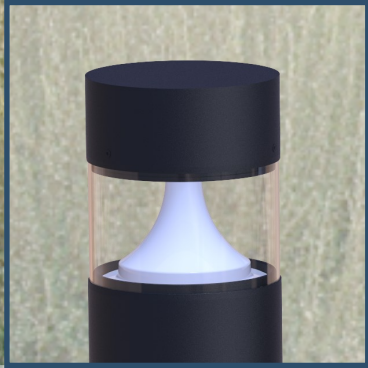


# MALIBU

## LED Architectural Bollard

DESIGN - QUALITY



PARACLINÉ / FLAT TOP



STOCK LOUVER/ DOME TOP



CUT OF GRILL/ CONE TOP



Crystal   
Lighting





PROJECT NAME			
TYPE		DATE	
NOTES			

# Malibu

# Architectural LED Bollard



**Malibu Bollard** combination of Style and Security. blends beautiful into any Pedestrian Walkways and Accenting the Exterior Grounds of Office or Apartment Buildings, Hotel and Parks.

10 year /100,000hrs. limited warranty

### FEACTURES

- Energy Savings: Over 66% compared to HID light sources.
- Improved lumen maintenance
- Utilizes high efficient LED's
- Operating temperatures: -30°C ~ 60°C.
- Driver: Constant current, 120~277v, 50/60Hz, 480v (Optional)
- Suitable for wet locations.
- Dimming, Photo Cell and Wireless Controls Capable (optional).
- Micro Wave Motion Sensor
- Operating Life: >200,000 hours.

### CONSTRUCTION

- Extruded Aluminum Body with Cast Aluminum Louvers.
- 3Mil Powder Coat Bronze Finish (Standard) various colors available.
- Clear Acrylic Lens (standard).
- Silicone Gasket to Prevent leakage and provide weather-tight protection (IP65)
- Mounting: 12" Anchor Bolts Included

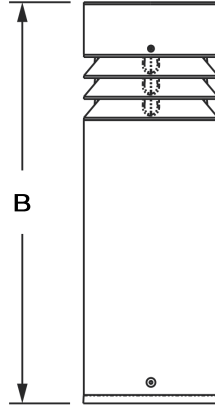
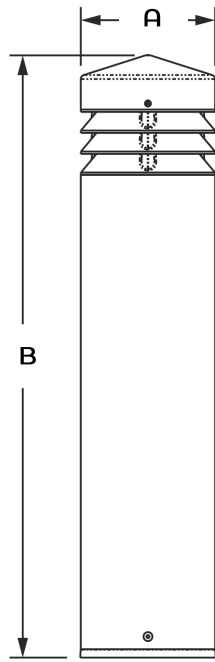
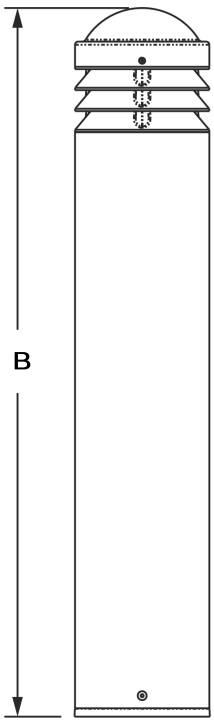


Example: (MLB-8OD-24-CG45-DT-15CLEDD-30K-MV-BLK-PC)



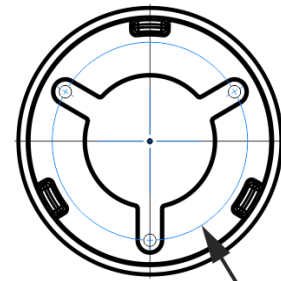
MLB									
CAT #	Dia.	Height	Distribution	Tops	Wattage	CCT	Voltage	Color	Options
Malibu (MLB)	8" OD (8OD)	42" (42)	Cast Grill 45° (CG45)	Dome Top (DT)	15W (15CLEDD)	3000K (3K)	120V/277V (MV)	Black (BLK)	Photocell (PC)
	6" OD (6OD)	36" (36)	Paracline (PAR)	Flat Top (FT)	20W (20CLEDD)	4000K (4K)	480V (HV)	White (WH)	Micro wave Motion Sensor (OCC-MW)
		24" (24)	Stock Louvers (SL)	Cone Top (CT)	30W (30CLEDD)	5000K (5K)		Bronze (BRZ)	180° Side Shield (HSS)
								Silver (SIL)	Vandal Resistant Base (VRB)
								Marine Grade (MG)	

All products are proudly manufactured and/or assembled in the USA



Dimensions		
CAT#	A	B
MLB-42	6"	42"
MLB-36	or	36"
MLB-24	8"	24"

**BASE TEMPLATE**

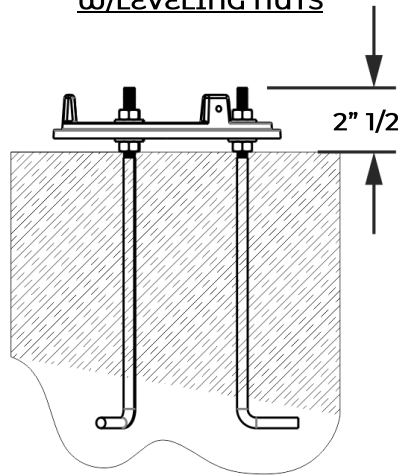


DIA. 6.00 BC

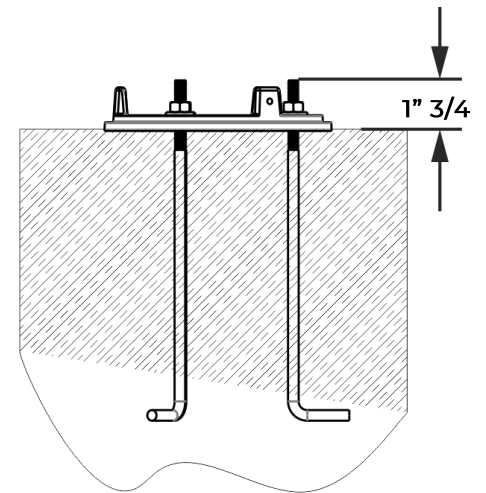


VANDAL RESISTANT BASE (OPTIONAL)

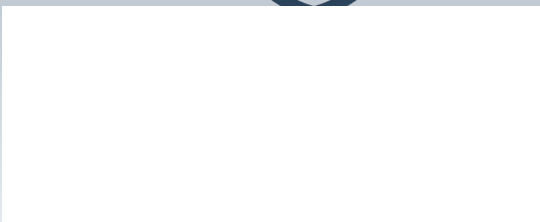
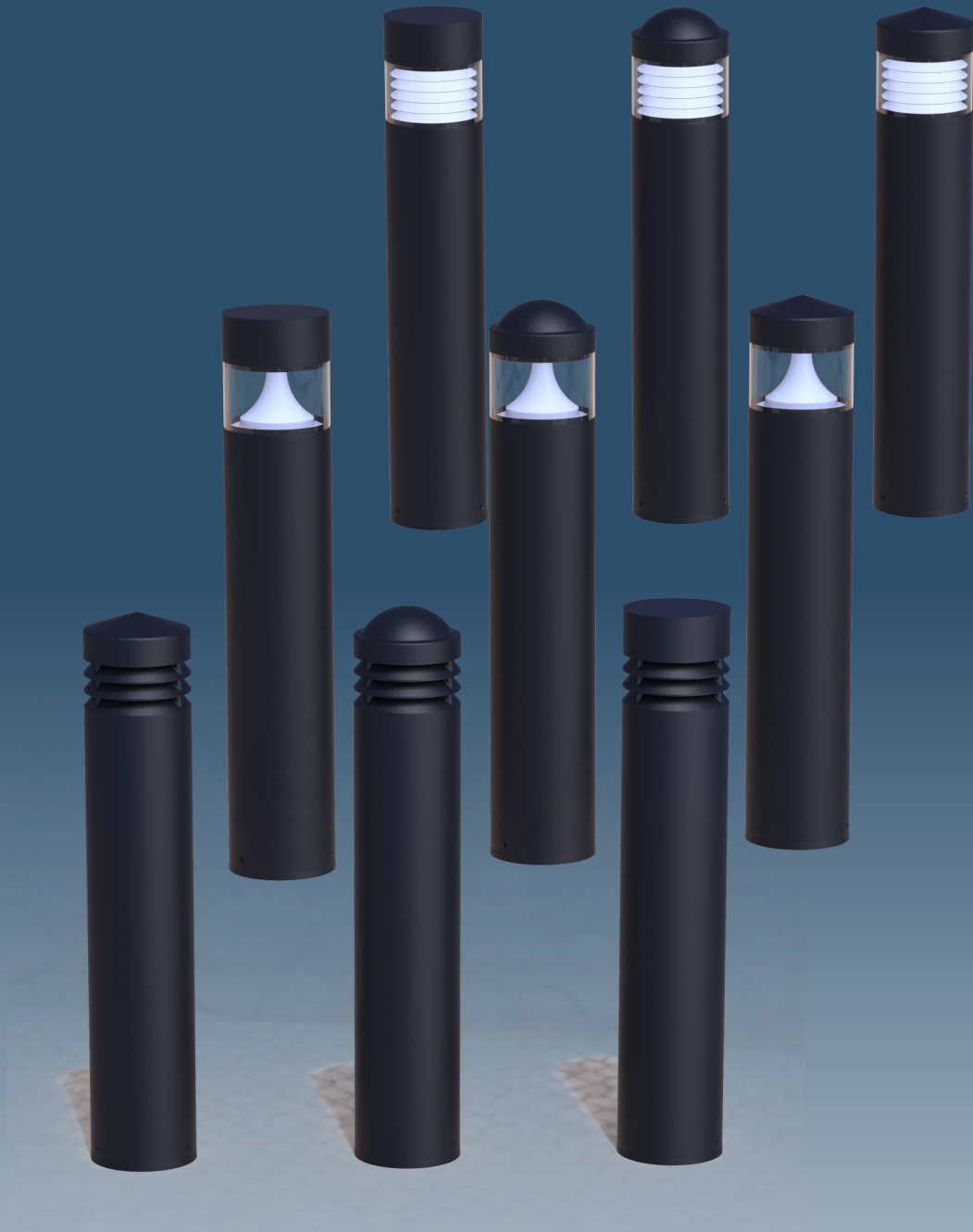
**W/LEVELING NUTS**



**W/ OUT LEVELING NUTS**



MODEL #	INPUT POWER	LUMEN OUTPUT	LP/W	COLOR TEMP. (CCT)	CRI	RATED LIFE (L70)	INPUT VOLTAGE	INPUT FREQUENCY
MLB-15CLED	20W	2,754	183	5000K	70+	>200,000	120-277V	50/60HZ
MLB-20CLED	25W	3,308	165	5000K	70+	>200,000	120-277V	50/60HZ
MLB-30CLED	35W	4,403	146	5000K	70+	>200,000	120-277V	50/60HZ



All products are proudly manufactured and/or assembled in the USA