

Heliport light LED beacon is used to a heliport where long range visual guidance is considered necessary; Or identification of the heliport is difficult due to surrounding lights. The light shall be located on or adjacent to the heliport preferably at an elevated position and so that it does not dazzle a pilot at short distance.

**Applications:**

- Heliport flashing beacon.

**Compliant:**

- ICAO Annex 14, Volume II, 4th Edition, July, 2013

**Why HL-2500:**

- Lightweight and easy transportation.
- Fixture can be used with 100V~250V AC, 50Hz or 60Hz.
- Anodized treatment, UV stabilized and corrosion resistant.
- Patent optical lens design
- Built-in surge protection device use in harsh environment.

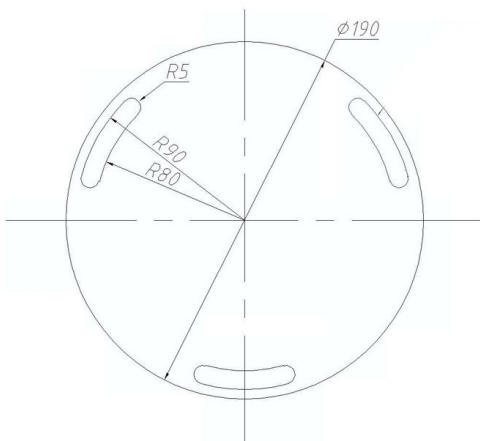
**Optical Characteristics:**

Elevation angle	Azimuth	Light Intensity
10°	-180° to 180°	>250cd
7°	-180° to 180°	>750cd
4°	-180° to 180°	>1700cd
2.5°	-180° to 180°	>2500cd
1.5°	-180° to 180°	>2500cd
0°	-180° to 180°	>1700cd

**Light&Electrical:**

- Power by 100V to 250V AC.
- 50 W power consumption.
- White color LED light source 50,000 hours lifetime.
- Flash frequency 4 flashers/2 seconds

**Drawings:**



**Physical Characteristics:**

- Aluminum alloy body.
- IP65 Ingress grade.
- Anodized treatment.
- Impact resistant polycarbonate lens cover.
- $\phi 19\text{cm}$  base size, 16cm in height.
- 3.5KG net weight.

**Environmental:**


- Operating at  $-40^{\circ}\text{C}$  to  $60^{\circ}\text{C}$ .
- Wind speed: 80m/s.

**Ordering codes:**

Type	Output	Lamp
HL-2500	W: White	AC: 100/250V

# Heliport Beacon

Heliport light beacon is used to a heliport where long range visual guidance is considered necessary;

-  Or identification of the heliport is difficult due to surrounding lights. The light shall be located on or adjacent to the heliport preferably at an elevated position and so that it does not dazzle a pilot at short distance.

Single white flashing beacon utilized LED technology emitting 2500cd light intensity white flashers. It can be customized single lamp with a 3-color alternately flashing beacon(White-Green-Yellow).

Rotation beacon utilized 3 nos. Of 150W halogen lamps(White-Green-Yellow), 12 rotations per minute to create a 37 flashers per minute view effect.