

LP1 LED Raised Helipad Landing Perimeter Light



The LP1 Helipad perimeter light utilizes state-of-the-art optical design to achieve smaller, efficient and lower consumption. Used for night operation, to use omnidirectional green perimeter light lit up the heliport TLOF/FATO edge area. TLOF lighting system always consist of elevated/flush perimeter lights and floodlighting by ICAO standards.

Manufacture Standard:

- ICAO Annex 14, Volume II, 4th Edition, July, 2013
- FAA AC150/5390-2C
- FAA Engineering Brief 87 Specifications

Applications:

- Raised mounted marking edge of FATO area or TLOF area
- Taxiway edge lights-blue
- Landing direction lights
- Helipads at rooftop, surface ground, shipboards, helideck,etc.

Why LP1:

- Portable and lightweight, easy transportation and installations.
- Low profile, no more than 15cm in height required by ICAO/FAA/CAP 437.
- Frangible bases.
- High light beam transmission efficiency >90%.
- Optical lens makes beams more concentrated.

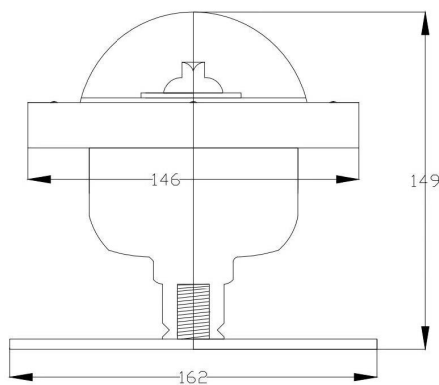
Technical Features:

- Operation voltage:85V~265V AC,50HZ/60HZ.
- Lamp:100,000 hours LED lifespan.
- Color:Green/white/blue/red/amber.
- Power: 7W/green color; 10W/white color.

Construction&Physical:

- Housing: aluminum alloy and 304 stainless steel.
- All metal housing in aviation yellow powder coating finish.
- Lamp Cover: PMMA.
- Base Diameter 6.4"/16.2cm,5.9"/14.9cm in height.
- Mounting: (84-100mm)-4×φ12.5mm
- IP rating: IP65.
- Weight: 1.8KG.
- Operating: -40°C to 60 °C.
- Wind speed: 80m/s.

Size:



Dimensions in mm



**Due to color difference, camera environment factors, product color to prevail in kind.*

Optical:(Green color)

Elevation angle	Azimuth	Light Intensity
20° to 90°	-180° to 180°	>3cd
13° to 20°	-180° to 180°	>8cd
10° to 13°	-180° to 180°	>15cd
5° to 10°	-180° to 180°	>30cd
2° to 5°	-180° to 180°	>15cd

Optical:(White color)

Elevation angle	Azimuth	Light Intensity
30°	-180° to 180°	>10cd
25°	-180° to 180°	>50cd
20°	-180° to 180°	>100cd
10°	-180° to 180°	>100cd
3°	-180° to 180°	>100cd
0°	-180° to 180°	>10cd

LP1 LED Raised Helipad Landing Perimeter Light



The LP1 Helipad perimeter light utilizes state-of-the-art optical design to achieve smaller, efficient and lower consumption. Used for night operation, to use omnidirectional green perimeter light lighten the heliport TLOF/FATO edge area. TLOF lighting system always consist of elevated/flush perimeter lights and floodlighting by ICAO standards.

Mounting Size:

