

**PSL-100  
LED 8" Flush  
Heliport Perimeter Inset Light**

PSL-100 flush helipad light proved to be reliable quality and installed at all kinds of helipads worldwide. Heliport Perimeter Light is used for night operation, to use omnidirectional green perimeter light lit up the heliport TLOF/FATO edge area.

**Applications:**

- Helipads at rooftop, surface ground, ships, helidecks, etc.
- Flush mounted marking edge of FATO area or TLOF area
- Flight path alignment lights
- Landing direction lights
- Taxiway edge lights-blue

**Compliant:**

- ICAO Annex 14, Volume II, 4th Edition, July, 2013
- FAA AC150/5390-2C
- Exceeds FAA Engineering Brief 87 Specifications

**Optical Characteristics:**

- Compliant ICAO annex 14, Chromaticity&Photometry.
- Elevation angle at 5° to 10° measured intensity>30cd.

**Electrical Characteristics:**

- Power by 85V to 265V AC, or 10V to 30V DC.
- 12W power consumption.
- Green color LED light source 100,000 hours lifetime.
- Dimming of brightness function available with customized controller.
- VHF control with customized controller.

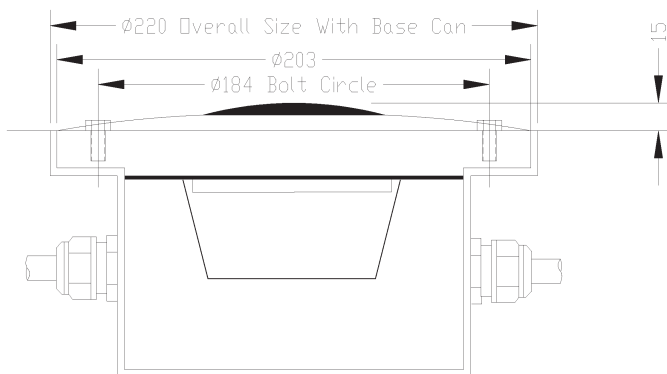
**Physical Characteristics:**

- Anodized aluminum light body and aluminum alloy base.
- All hardwares shall be stainless steel.
- Heat&Corrosion resistant high borosilicate glass lens.
- Sealed&protected, ingress grade rating IP68.
- Diameter standard 8"/20.32cm, bolt circle 7.25inch/18.42cm.
- $\phi$ 22cm external size with mounting can, 17cm total height.
- 7.2KG net weight.

**Environmental:**

- Operating at -30°C to 70 °C.
- Wind speed: 80m/s.

**Drawings:**



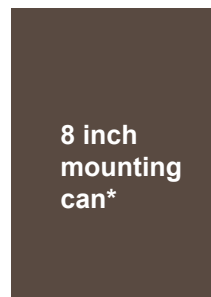
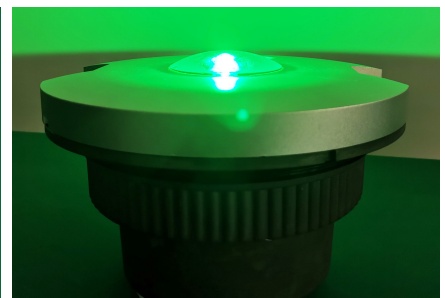
**Advantages:**

- Lens above the grade only 10mm after installations.
- Borosilicate glass lens, UV stabilized.
- Consist of internal cap and external 8" base(mounting can).
- Reliable ingress protection IP68.
- Reserved cable glands on base can 1 in-1 out, easy installations.

**Ordering codes:**

| Type    | Output                                     | Lamp                      | Function                    |
|---------|--|---------------------------|-----------------------------|
| PLS-100 | G: Green<br>B: Blue<br>R: Red<br>Y: Yellow | AC: 85/265V<br>DC: 10/30V | Standard<br>VB <sup>1</sup> |

<sup>1</sup> Variable brightness, 3 level brightness controlled.



\* Quote/package contains 8" mounting can, if you want to exclude it please advise.