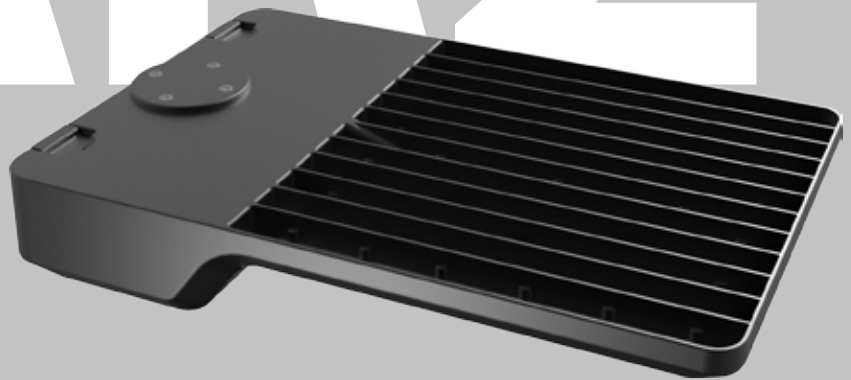




AR2



ARCHER G2

Architectural Area Light/Floodlight Combination

AR2-300P

300W POWER SELECTABLE LED AREA LIGHT

DESCRIPTION

300W Power Selectable LED Area Light/120-277VAC
 Universal Input (347-480V input optional)/Bronze
 Housing (Custom Input optional)/Multiple Mounting,
 Optics, and Control options

APPLICATION

With 4 optics available, the fixture is ideal for walkways, roadways, parking lots, auto dealerships, recreational venues, and other outdoor lighting needs. Adjustable arm mount, slip fitter and wall mount are provided for different applications.



PRODUCT FEATURES

- Heavy duty die cast aluminum housing with ample heat sinking.
- Compact, low profile design delivers high-performance.
- High-quality finishes prevent corrosion, protects against extreme environmental conditions.
- Custom paint are available with additional cost and lead time.
- Power selectable technology, covering 3 wattage selections(300W/240W/200W) with 1 SKU.
- Type III lens comes standard(pre-installed). Type II, Type IV and Type V lenses sold separately.
- Four contractor-friendly mounting options available (sold separately).
- 0-10V dimmable (0-100%) 12V AUX power tap, 6KV surge protection.
- 347-480V are available with additional cost and lead time.
- Sensor receptacle pre-installed, plug-and-play occupancy sensor sold separately.
- Bluetooth mesh smart sensor optional.
- Integrated NEMA/ANSI C136.10 3-pin and 7-pin photocell optional.
- UL Certified; IP 65 rated; DLC Premium V5.1 listed.

PRODUCT SPECIFICATIONS

Model Number	Nominal Wattage	CCT	Wattage (W)	Efficacy (LM/W)	Lumens (LM)	Input Voltage(VAC)	CRI	Distribution	BUG
AR2-300P-40-T3	300W	4000K	309.7	150.0	46,463	120-277 (347-480 Optional)	>80	Type III	B5-U3-G5
	240W		243.0	156.0	38,096				B4-U3-G4
	200W		210.0	157.5	33,076				B3-U3-G3
AR2-300P-50-T3	300W	5000K	298.1	156.0	46,513	120-277 (347-480 Optional)	>80	Type III	B5-U3-G5
	240W		243.0	159.9	38,858				B4-U3-G4
	200W		210.0	160.7	33,738				B3-U3-G3
AR2-300P-40-T5	300W	4000K	305.1	157.7	48,125	120-277 (347-480 Optional)	>80	Type V	B5-U3-G5
	240W		244.4	160.9	39,302				B4-U3-G4
	200W		203.6	167.8	34,168				B4-U3-G4
AR2-300P-50-T5	300W	5000K	305.1	160.9	49,088	120-277 (347-480 Optional)	>80	Type V	B5-U3-G4
	240W		244.4	164.0	40,088				B5-U3-G4
	200W		203.6	171.2	34,851				B4-U3-G4

*T3 optics comes pre-installed. T2, T4 and T5 are optional and assembled to order. Lead times may apply.

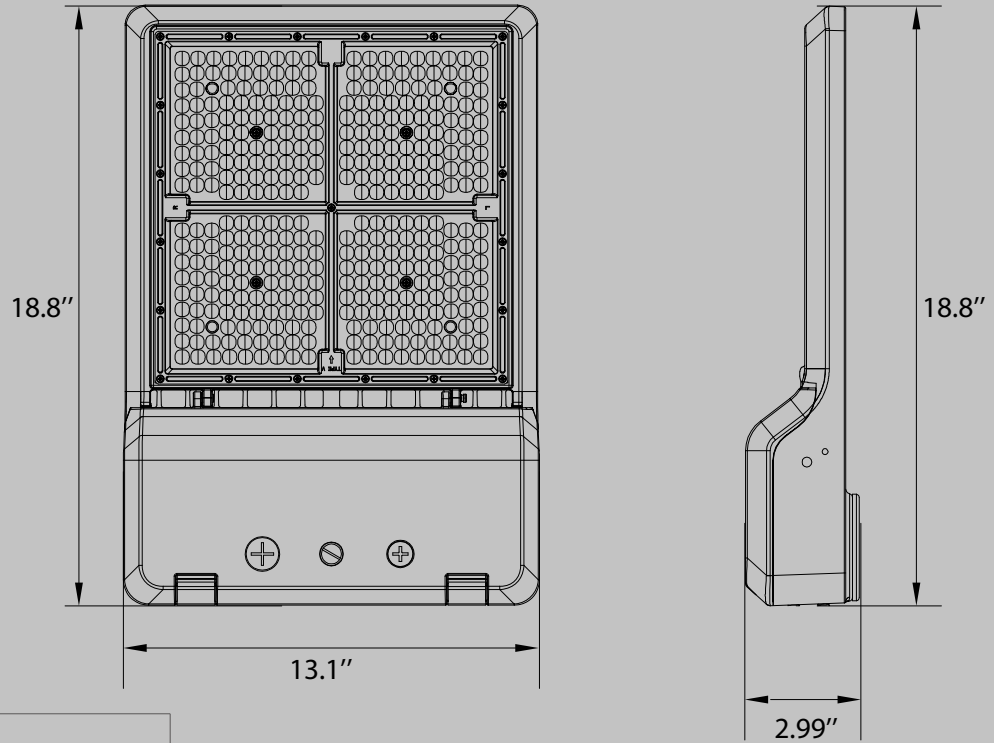
**Mounts, sensors and photocells are sold separately. Custom finish are available and made to order. Extended lead times may apply.

***Please contact sales team for more details are smart control.

AR2-300P
300W POWER SELECTABLE LED AREA LIGHT

PHYSICAL SPECIFICATIONS

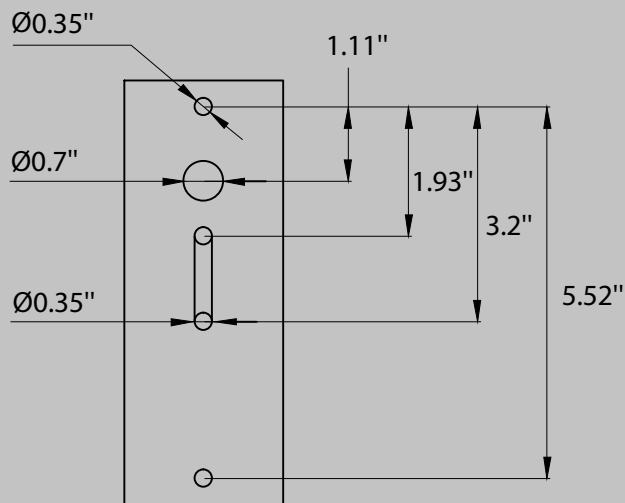
LED AREA LIGHT FIXTURE



PACKAGING

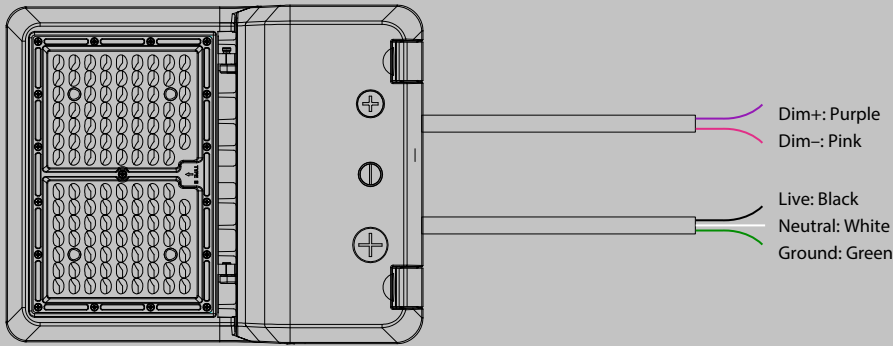
Carton Quantity	1 piece
Carton Dimensions	5.8"H x 15"W x 24.6"L
Carton Weight	11 lbs

**POLE MOUNT (ADJUSTABLE OR FIXED)
DRILLING HOLES**



AR2-300P
300W POWER SELECTABLE LED AREA LIGHT

WIRING DIAGRAM



- Make input connections as needed and ensure connections are protected from exposure to the elements.

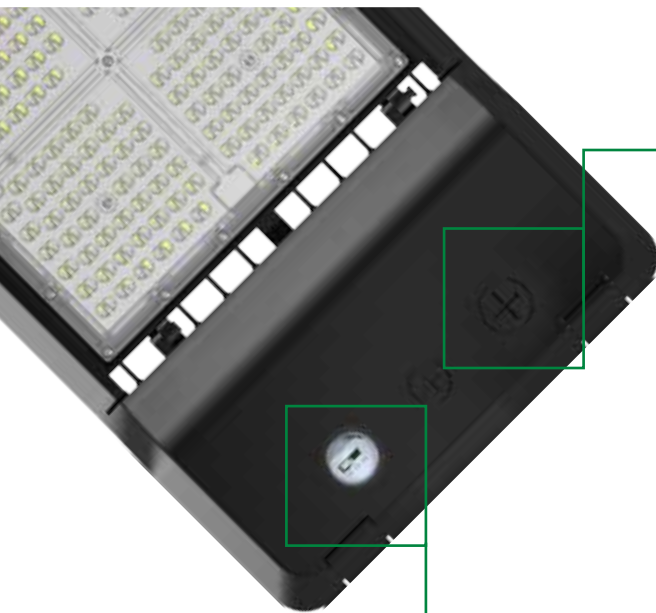
- Input voltage rating: 120-277V/347-480V Optional

- Ensure that input voltage on site matches the fixture you intend to install.

POWER SELECTABLE AND PLUG-AND-PLAY SENSOR

This fixture is equipped with field-adjustable Power Select technology.

1. Ensure power is off to the fixture.
2. Open the driver compartment located on the underside of the fixture.
3. Adjust switches to desired settings.



PLUG AND PLAY MICROWAVE SENSOR

With pre-installed receptacle, microwave sensor can be added on site to save labor cost.



POWER SELECT ADJUSTMENT DIAL

Set switch to adjust wattage between 300W, 240W, and 200W. Fixture comes preset at 300W.

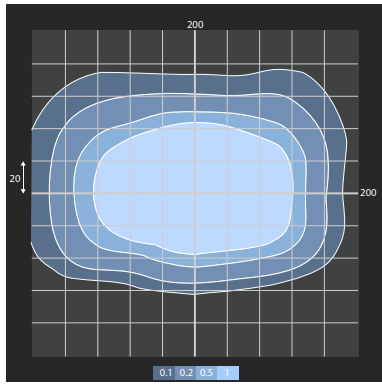


AR2-300P
300W POWER SELECTABLE LED AREA LIGHT

LIGHT DISTRIBUTION PATTERN

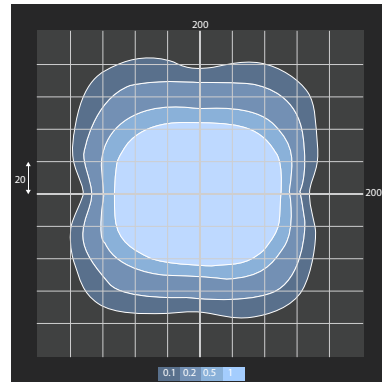
TYPE III (T3)

Area light is mounted at 20 ft. Calculation Area is set as 200 x 200 ft and the point spacing is 20 x 20 ft.

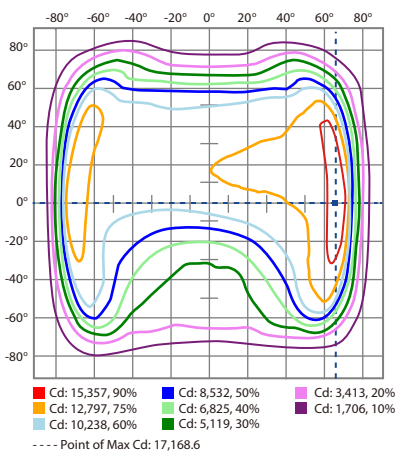


TYPE V (T5)

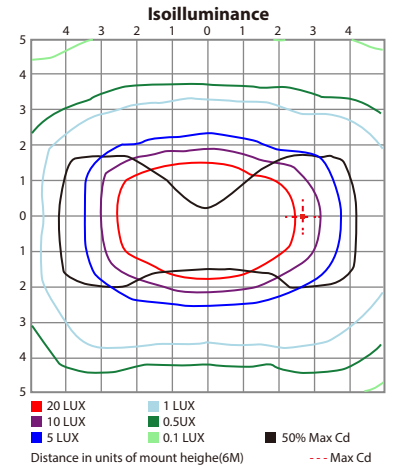
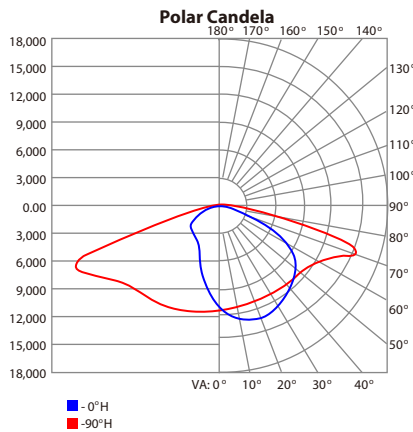
Area light is mounted at 20 ft. Calculation Area is set as 200 x 200 ft and the point spacing is 20 x 20 ft.



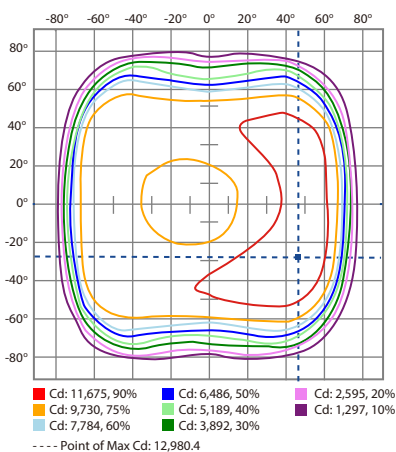
PHOTOMETRIC SPECS (TYPE III)
ISOCANDELA PLOT



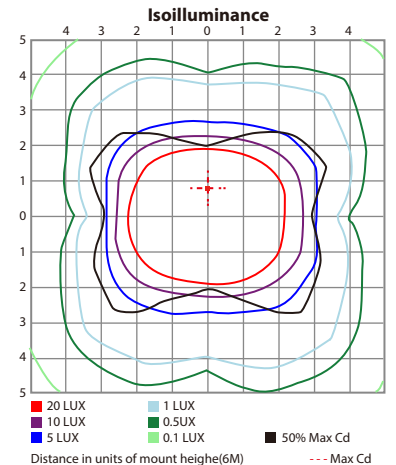
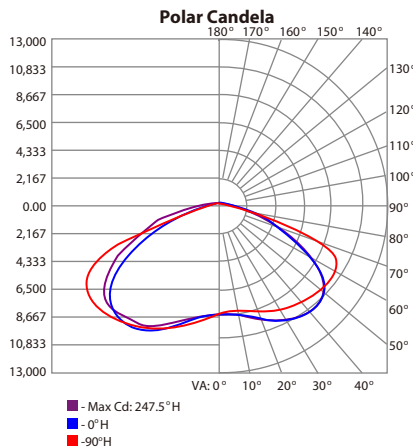
POLA CANDELA CURVE



PHOTOMETRIC SPECS (TYPE V)
ISOCANDELA PLOT



POLA CANDELA CURVE



AR2-300P

300W POWER SELECTABLE LED AREA LIGHT

ACCESSORIES (SOLD SEPARATELY)

SENSORS & PHOTOCELLS

SUFFIX	MODEL NUMBER	DESCRIPTION
SQ	HB01DMS	Microwave Occupancy Sensor, 12VDC
RQ	RE-HB01DMS	Remote for HB01DMS
RR	HD09VR-PH	PIR Sensor, 12VDC
P1	JL-207C	NEMA Type Twist-Lock 3-Pin Photocell, 120-277VAC
P2	JL-207F	NEMA Type Twist-Lock 3-Pin Photocell, 480V
P4	JL-243C	NEMA Type Twist-Lock 7-Pin Photocell, 120-277VAC
W4	PSC-BL-I-FM-DC-BLE-SR	Bi-Level PIR Occupancy Sensor, 12VDC
W10	PSC-ZKV-I-100-BLE-SR	PIR OCCC Sensor, 12VDC
W11	PSC-ZKV-WCM-100-BLE-SR	0-10V MESH Controller, 12-24VDC
W12	PSC-WCM-50-BLE-SR	PSC-WCM-50-BLE-SR
BO	HDO9VR-MHB	BLE Microwave Sensor, 12VDC
BQ	HDO9VR-PHB	BLE PIR Sensor, 12VDC

Factory-Installable OR Field-Installable (field-installable purchased separately)

 Microwave Occupancy Sensor HB01DMS	 Remote for HB01DMS RE-HB01DMS	 NEMA Type Twist-Lock 3-Pin Photocell JL-207C/JL-207F	 NEMA Type Twist-Lock 7-Pin Photocell JL-243C	 Remote Control KTS-MW3-REMOTECONTROL
 Bi-Level PIR Occupancy Sensor PSC-BL-I-FM-DC-BLE-SR	 PIR Occupancy Sensor PSC-ZKV-I-100-BLE-SR	 0-10V MESH Controller PSC-ZKV-WCM-100-BLE-SR	 HD09VR-MHB	 HD09VR-PH & HD09VR-PHB

* For factory installation of accessory, add suffix to fixture part number (see ordering examples and instructions on last page of spec sheet).

LENS & BACKLIGHT SHIELD

SUFFIX	MODEL NUMBER	DESCRIPTION
L2A	LEN-T2-AR2-01	Type II Lens for 100W G2 Archer Area Light, 1:1
L4A	LEN-T4-AR2-01	Type IV Lens for 100W G2 Archer Area Light, 1:1
L5A	LEN-T5-AR2-01	Type V Lens for 100W G2 Archer Area Light, 1:1
SHD	SHD-AR-G2-02	Backlight Shield for AR2-300P

SPD

SP1	SPD-277P	Surge Protective Device, 277Vac, 10KA/KV
SP2	SPD-480P	Surge Protective Device, 277Vac, 10KA/KV

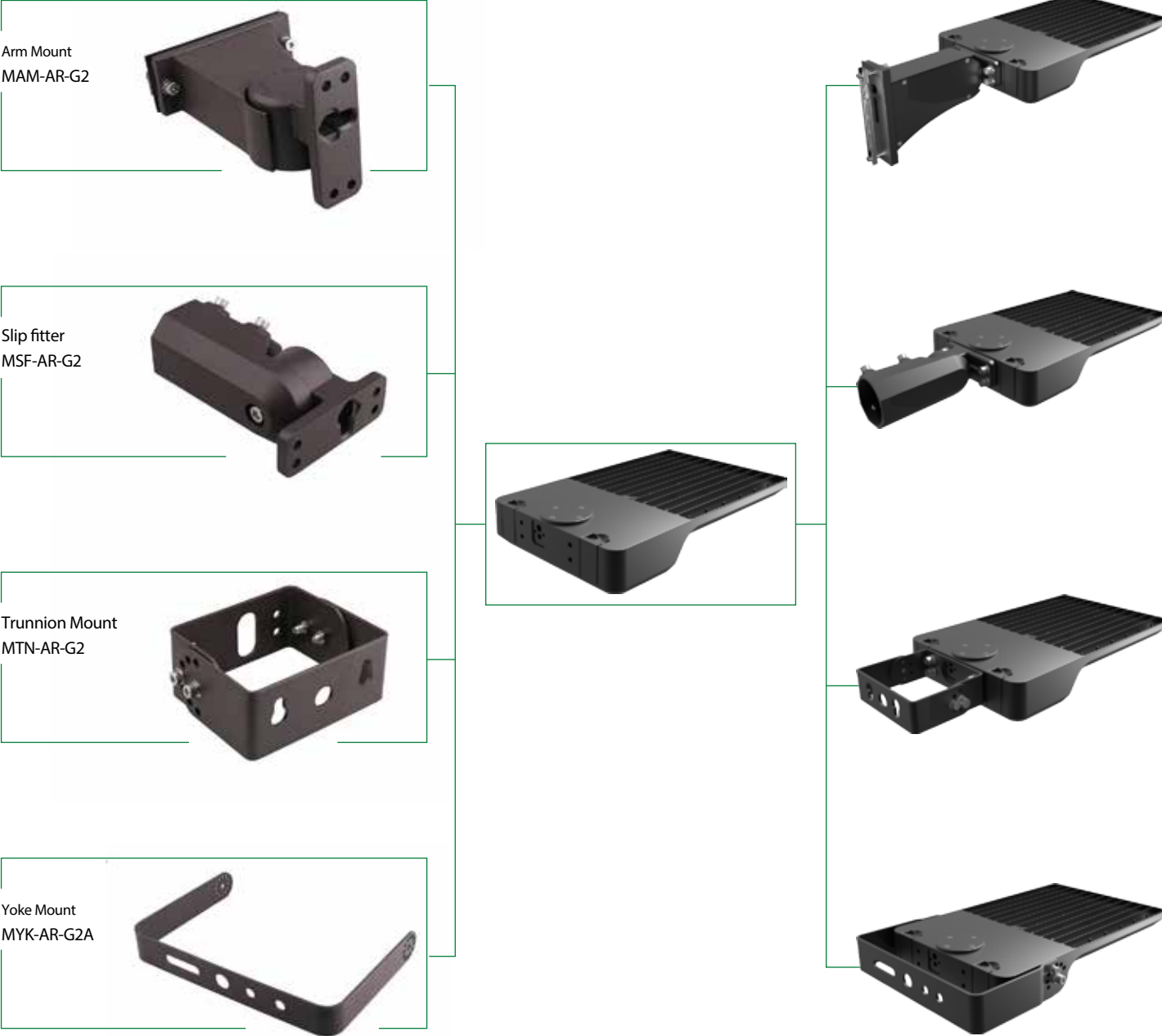
AR2-300P
300W POWER SELECTABLE LED AREA LIGHT

ACCESSORIES (SOLD SEPARATELY)

MOUNTS AND BRACKETS

SUFFIX	MODEL NUMBER	DESCRIPTION
AM	MAM-AR-G2	Arm Mount for G2 Archer Area Light
SF	MSF-AR-G2	Slip Fitter for G2 Archer Area Light
TN	MTN-AR-G2	Trunnion Mount for G2 Archer Area Light
YA	MYK-AR-G2A	Yoke Mount for 100W&150W Archer G2 Area Light

Field-Installable / Field-Use ONLY (purchased separately)



* For factory installation of accessory, add suffix to fixture part number (see ordering examples and instructions on last page of spec sheet).

AR2-300P

300W POWER SELECTABLE LED AREA LIGHT

ORDER FORMAT

Series	Wattage	CCT	Voltage	Optics	Control*	Finish	Mounting, Lens & Accessories**	Options
AR2								
100P =100W/80W/60W selectable	40 =4000K	Blank =100-277VAC	T2 =Type II	SQ =Microwave Sensor, HB01DMS	Blank =Bronze	AM =Arm Mount	Blank =Standard	
150P =150W/120W/100W selectable	50 =5000K	V =347-480VAC	T3 =Type III	P1 =JL-207C, 3-Pin Photocell, 120/277VAC	B =Black	SF =Slipfitter	B =BAA Compliant	
300P =300W/240W/200W selectable			T4 =Type IV	P2 =JL-207F, 3-Pin Photocell, 480VAC	W =White	TN =Trunnion Mount		
			T5 =Type V	LLLC ☆		YA =Yoke Mount for 100P&150P model		
				LALC ☆		YB =Yoke Mount for 300P model		
						RQ =Remote for Sensor HB01DMS		
						SHD1 =House Shield for 100P/150P		
						SHD2 =House Shield for 300P		

*Can be pre-installed. See more details in CONTROL, OPTIONS AND ACCESSORIES sheet.
 **Order separately, See more details in CONTROL, OPTIONS AND ACCESSORIES sheet.
 ☆Contact sales team for more details about LLLC, LALC, options.

EPA SPECIFICATIONS

- Conditions: Horizontal winds only for calculations. Worst case total projected area used for calculations.
- All drag coefficients are set as worst case 1.2.

EPA Calcs (1.2*ft ² View)		Single Fixture	2 Fixtures at 90°	2 Fixtures at 180°	3 Fixtures at 90°	3 Fixtures at 120°	4 Fixtures at 90°	2 Fixtures Side-by-Side	3 Fixtures Side-by-Side	4 Fixtures Side-by-Side
Mounting Application	Fixture Position									
AR2-300P	Horizontal	0.468	0.73	0.945	1.114	1.198	1.114	0.693	1.039	1.385
	45°	2.016	1.831	1.344	2.328	3.281	2.328	2.677	4.021	5.365