



Featuring highly efficient LED drivers and a water resistant housing, the LED Gas Station Canopy series can be featured in a wide range of indoor and outdoor applications! Available in a wide range of wattages, it is excellent for gas stations, museums, art galleries, shopping malls, parking garages and many more!



FEATURES

- LED high luminous efficiency and long working life.
- High efficiency LED Driver, the wide range input voltage AC120-277V.
- Die-cast aluminum cooling design, high quality and better cooling for LED $T_j < 85^\circ\text{C}$.
- Excellent optics design, greatly improve the light utilization and evenness.
- Motion sensor control available (Optional)

CONTROLS



BRI810-B-M8
Mounts in an outdoor lighting fixture and provides multi-level control based on motion and/or daylight contribution



RC
Remote Controller

SPECIFICATION				
WATTAGE	95W	120W	150W	200W
LUMEN	12721 lm	16086 lm	21250 lm	28390 lm
EFFICACY	130 lm/W	130 lm/W	140 lm/W	140 lm/W
CCT	4000K, 5000K			
CRI	70			
INPUT VOLTAGE	AC120-277V			
BEAM ANGLE	111°	109°		105°
POWER FACTOR	0.95		0.98	
DRIVER EFFICACY	90%		93%	
DIMMING	1-10V dimming			
LIFE SPAN	over 50,000 hrs			
WORKING TEMPERATURE	-22°F ~ 113°F			
STORAGE TEMPERATURE	-40°F ~ 176°F			
OUTDOOR RATING	Wet location			
CABLE	Input Connect (0.7m)			
WARRANTY	5 year limited			



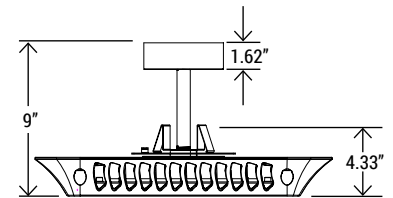
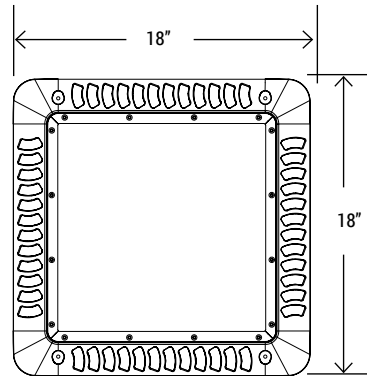
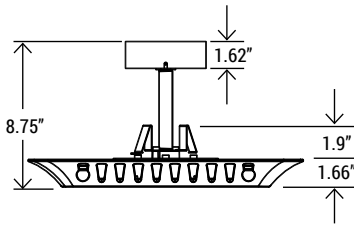
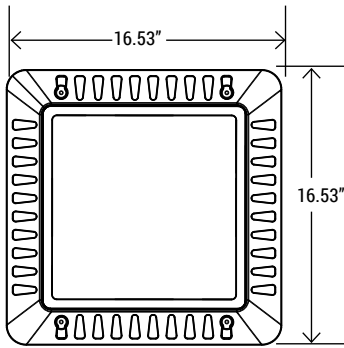
Motion sensor ready

Optical lens is made of high quality glass material to make the light even and soft.



High performance, die cast heat sink transfers heat from the light engine to the environment, via large cooling fins, drawing heat away from the fixture, and extending the lifespan of the LEDs.

DIMENSION



WATTAGE	95W, 120W
GR. WEIGHT	9.87 lbs
BOX DIMENSION	21" x 21" x 5.12"

WATTAGE	150W, 200W
GR. WEIGHT	13.45 lbs
BOX DIMENSION	20.7" x 20.7" x 5.5"

Ordering Information Example

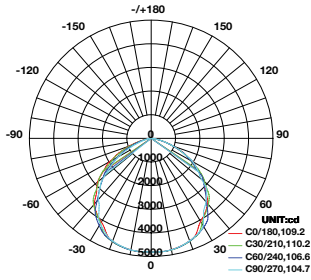
DLC Listing	Example
U-CP-95W	CP95W27-XXK-Z[D,W,B,S]-E[BLANK,M]
U-CP-12W	CP12W27-XXK-Z[D,W,B,S]-E[BLANK,M]
U-CP-15W	CP15W27-XXK-Z[D,W,B,S]-E[BLANK,M]
U-CP-20W	CP20W27-XXK-Z[D,W,B,S]-E[BLANK,M]

CP	95W	27	XXK	Z	E
PRODUCT	WATTAGE	VOLTAGE	CCT	FINISH	CONTROL
CP (Gas Station Canopy)	95W - (95W) 12W - (120W) 15W - (150W) 20W - (200W)	27 (AC120-277V)	40K - (4000K) 50K - (5000K)	D - (Dark Bronze) W - (White) B - (Black) S - (Silver)	M - (Motion Sensor)

PHOTOMETRICS

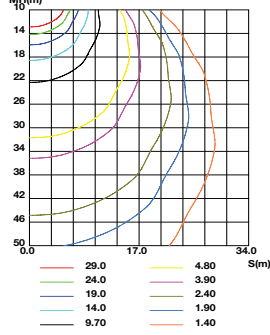
CP95W27-50K

LUMINOUS INTENSITY DISTRIBUTION DIAGRAM



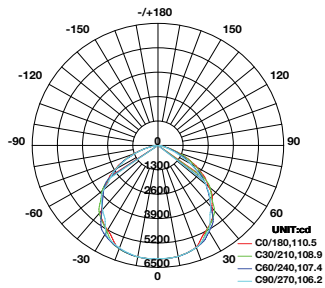
AVERAGE BEAM ANGLE(50%):107.7 DEG

C0 PLANE ISOLUX DIAGRAM (UNIT:lx)



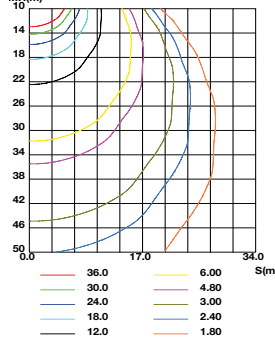
CP12W27-50K

LUMINOUS INTENSITY DISTRIBUTION DIAGRAM



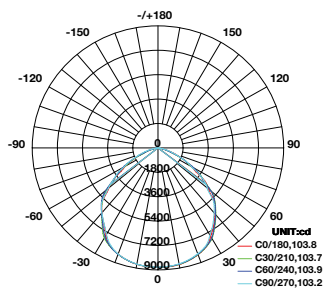
AVERAGE BEAM ANGLE(50%):108.2 DEG

C0 PLANE ISOLUX DIAGRAM (UNIT:lx)



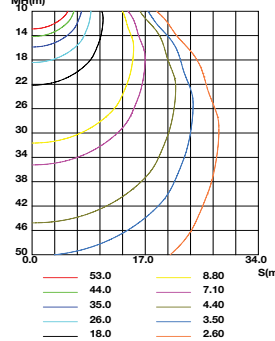
CP15W27-50K

LUMINOUS INTENSITY DISTRIBUTION DIAGRAM



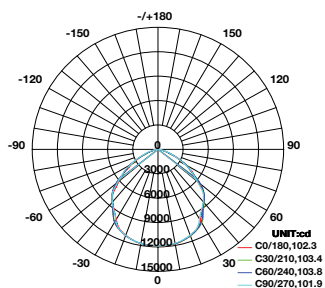
AVERAGE BEAM ANGLE(50%):103.6 DEG

C0 PLANE ISOLUX DIAGRAM (UNIT:lx)



CP20W27-50K

LUMINOUS INTENSITY DISTRIBUTION DIAGRAM



AVERAGE BEAM ANGLE(50%):102.8 DEG

C0 PLANE ISOLUX DIAGRAM (UNIT:lx)

