

CLP-ACORN
Architectural LED Luminaire
DESIGN-FUNCTION-QUALITY



Crystal Lighting Corp.



CLP-ACRN architectural LED Fixture, suitable for wet locations. Perfect for lighting up residential exteriors, Walkways, Perimeters, School Campuses, Industrial / Commercial Spaces, Parking Lots, Recreational Parks. This fixture has a wide light distribution.
 - 10 year/100,000 hour limited warranty.

FEATURES.

Energy Savings: Over 66% compared to HID light sources.
 Improved lumen maintenance.
 High efficient Lumiled LED's.
 Operating temperatures: -30°C ~ 60°C.
 Driver: Constant current, 120-277v, 50/60Hz, 480v (Optional).
 10Kv Surge Protector. (standard).
 0-10Dimming, Occupancy Sensors, Photo Cell and Wireless Controls capable (optional).
 Operating Life: >200,000 hours

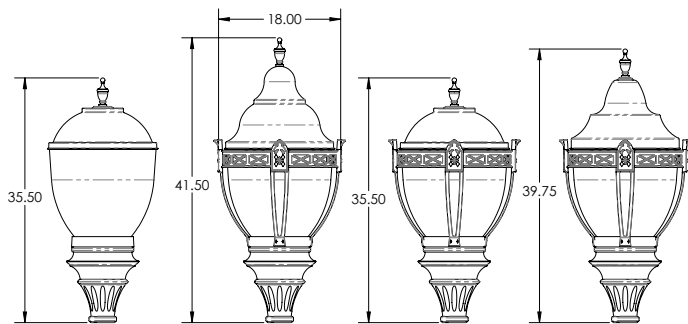
CONSTRUCTION.

Housing is Heavy-Duty Cast Aluminum Base.
 Powder Coat Bronze Finish (Standard). Various colors available (custom).
 Clear Prismatic Acrylic Type 5 (Standard), Clear Prismatic Polycarbonate Lens (optional).
 Silicone Gasket to prevent leakage and provide weather-tight protection.
 Mounting: Over 3" O.D Tenon or Pole (Standard), Adapter is Required for other mountings.

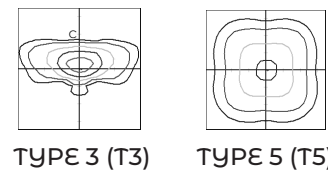


EPA	2.3
Weight	22LBS

Average Height and Diameter



Optic Distributions



Example: CLP-ACRN-CG1-FT1-TP1-LLA-40CLED-T3-30K-MV-BLK-PC



Cat #	Cage	Fitter	Hard Top	Lens	Wattage	Light Dist.	Color Temp.	Voltage	Finish	Options
CLP-ACRN										
CLP-Acorn (CLP-ACRN)	Cage 1 (CG1) Lens D or Lens A-L only Cage 2 (CG2)	Fitter 1 (FT1) Fitter 2 (FT2) Fitter 3 (FT3) Fitter 4 (FT4) Fitter 5 (FT5) Fitter 6 (FT6)	Lens A-L only Top 1 (TP1) Top 2 (TP2) Top 3 (TP3) Lens A-S, B or D only Top 1-S (TP1-S) Lens E only Top 4 (TP4)	Acrylic Lens. Large Lens A (LLA) Small Lens A (SLA) Lens B (LB) Lens D (LD) Lens E (LE)	20W (20CLED) 40W (40CLED) 50W (50CLED) 60W (60CLED) 80W (80CLED)	Type 3 (T3) Type 5 (T5)	3000K (30K) 4000K (40K) 5000K (50K)	120-277V (MV) 480V (HV)	Black (BLK) White (WHT) Silver (SLR) Bronze (BRZ) Graphite (GPH) Custom (CST)	Occupancy Sensor (OCC) Bottom Photo Cell (PC) 7Pin Photocell Receptacle & Shoring Cap (7PCR) (Hard Top Only) Wireless Control (WC)



Hard Top 1



Hard Top 1-S



Hard Top 2



Hard Top 3



Hard Top 4



Lens A -L / Lens A-S



Lens B



Lens D



Lens E



Fitter 1



Fitter 2



Fitter 3



Fitter 4



Fitter 5



Fitter 6



Finial 1



Finial 2



Cage 1



Cage 2

Cat #	Input Power	Lumen Output	LPW	Color Temp. (CCT)	CRI	Rated Life (L70)	Input Voltage	HID Equivalent
CLP-ACRN-20CLED	25W	3,680	184	5000K	70+	>200,000	120-277V	50W MH
CLP-ACRN-40CLED	45W	6,492	162	5000K	70+	>200,000	120-277V	150W MH
CLP-ACRN-50CLED	55W	7,780	155	5000K	70+	>200,000	120-277V	250W MH
CLP-ACRN-60CLED	65W	8,539	142	5000K	70+	>200,000	120-277V	175W PSMH
CLP-ACRN-80CLED	85W	9,590	119	5000K	70+	>200,000	120-277V	250W PSMH

Proudly Manufactured and Assembled in the USA