

Project Details

PROJECT	
DATE	
TYPE	
PREPARER	



The Field Fit LED Flat Panel is Wattage & CCT selectable, this luminaire provides long-life and uniform illumination, as well as standard 0-10V dimming capability with a flicker free driver. It offers superior energy savings vs. traditional fluorescent troffers. It is available in 3 sizes: 1x4, 2x2, 2x4 and features a sealed design and high-quality reflective panel which improves occupant comfort while maintaining high efficiency output. The Field Fit LED luminaire is the ideal choice for offices, retail stores, schools and other general applications.

SPECIFICATIONS Product Features

Construction

- Extruded aluminum frame
- PMMA Optical Lens
- Powder coated white finish
- Integral T-Bar Clips
- Low profile design

Installation & Mounting

- Surface Mount
- Suspension Kit
- Recessed T-Bar

Controls & Dimming

- Continuous 0-10 Volt dimming
- 12V Aux
- Bi-level occupancy sensor
- Emergency battery back up
- Bluetooth Mesh (Avi-on Labs)

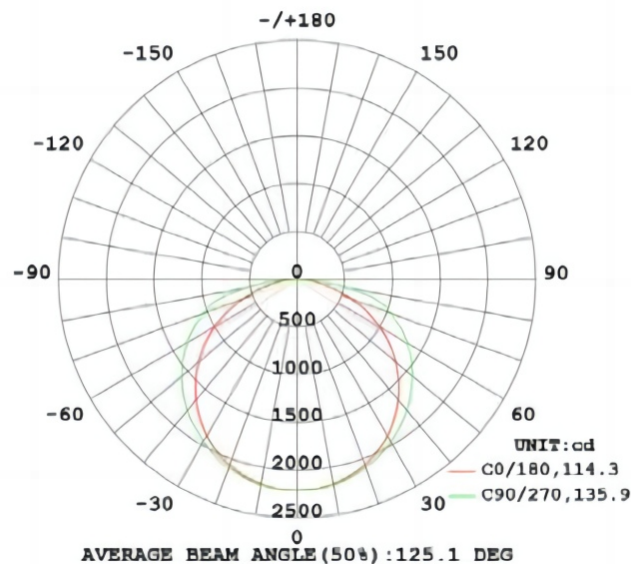
PERFORMANCE Summary

Input Voltage	100-277V
Input Frequency	50/60 Hz
Rated Wattage	1x4 - 20W-30W-40W 2x2 - 20W-30W-40W 2x4 - 30W-40W-50W
Efficacy	130lm/W
CRI	82
Available CCT	3500K, 4000K, 5000K
Rated Life (L70)	50,000 hrs
IP Rating	IP20
PF	>0.90
Certifications	DLC, CE, RoHS, UL
Working Temp. (°F)	-15°F - 115°F
LED Light Source	SMD 2835

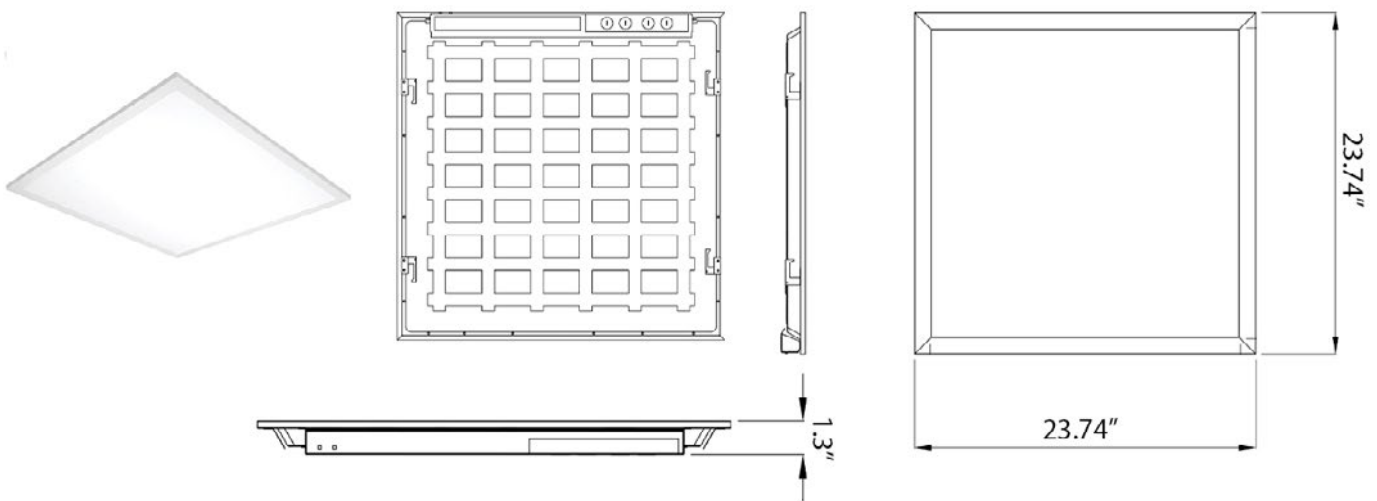
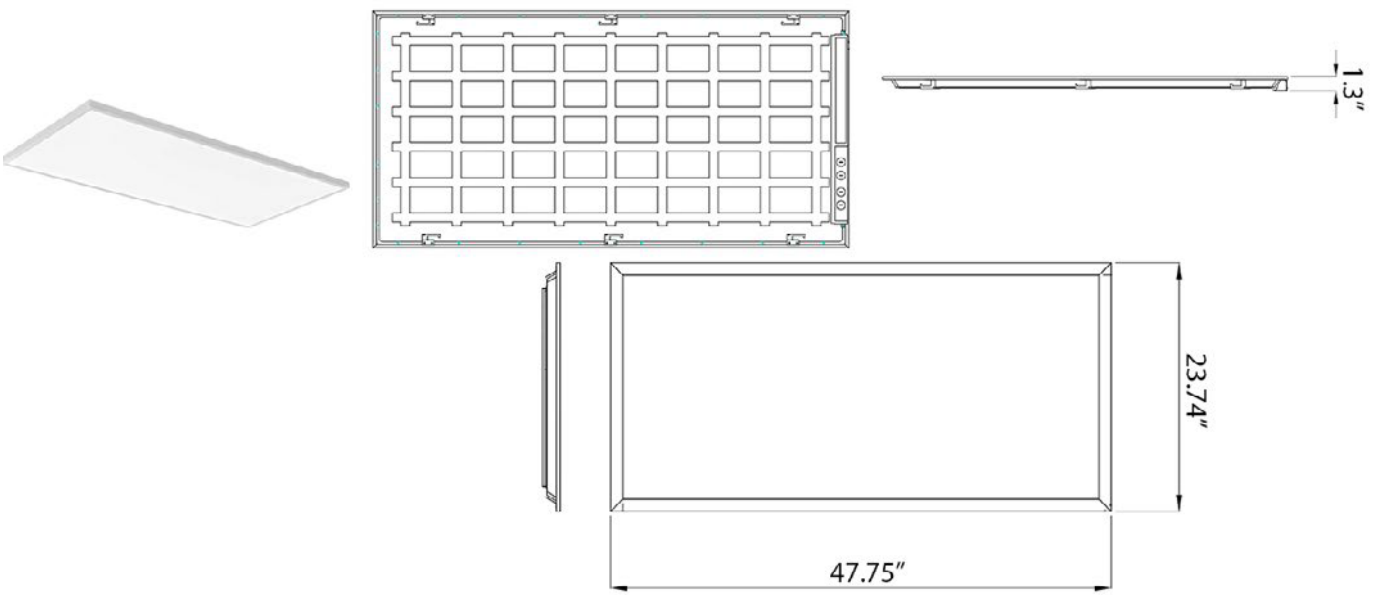
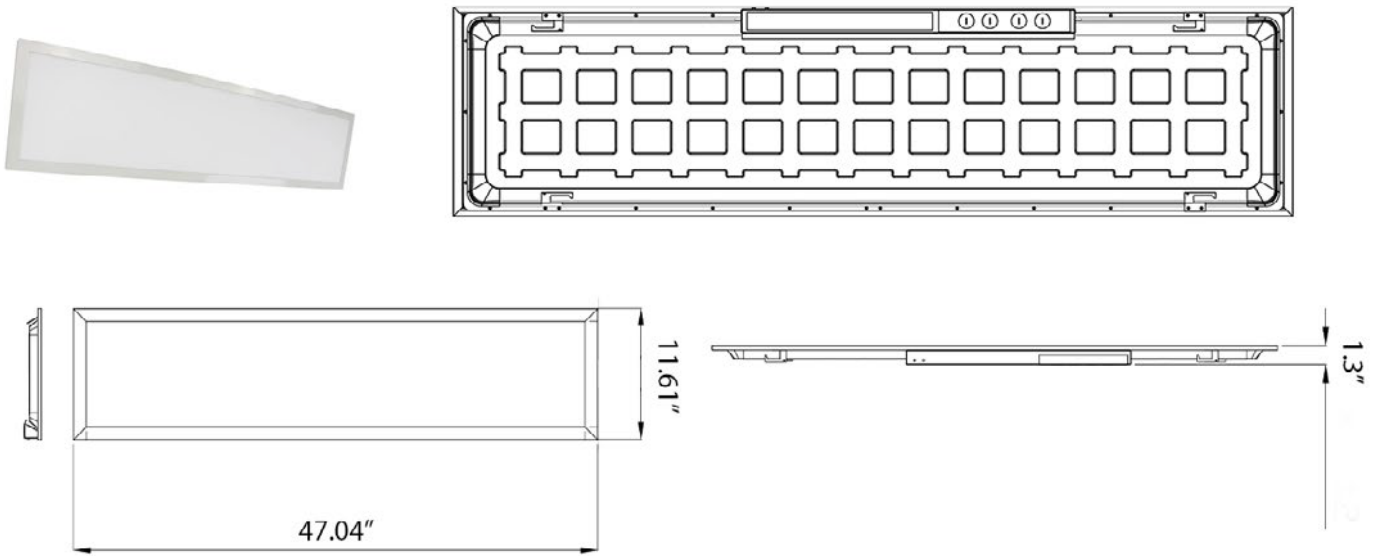


BEAM Angle

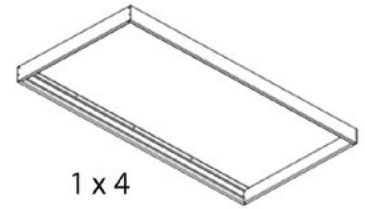
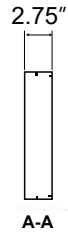
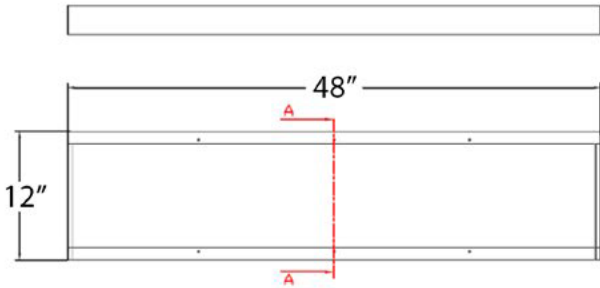
LUMINOUS INTENSITY DISTRIBUTION DIAGRAM



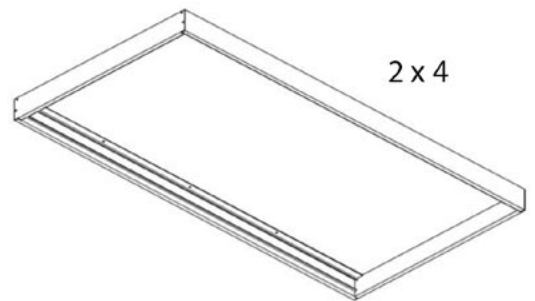
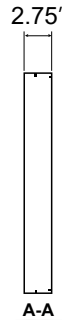
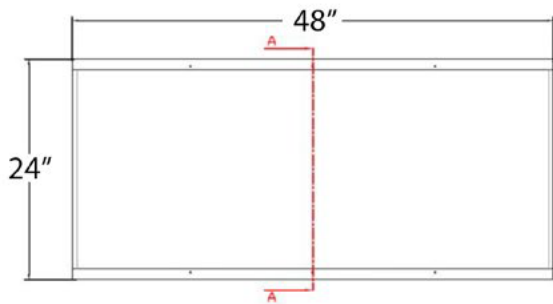
PRODUCT DIMENSIONS



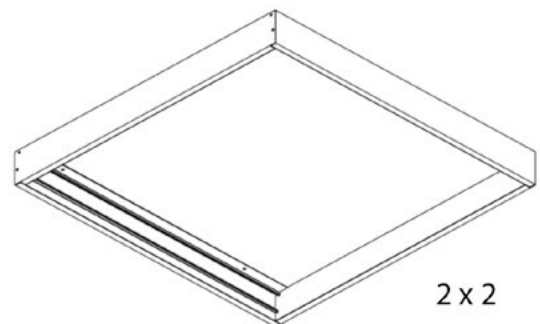
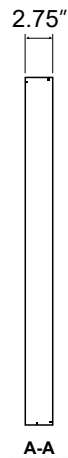
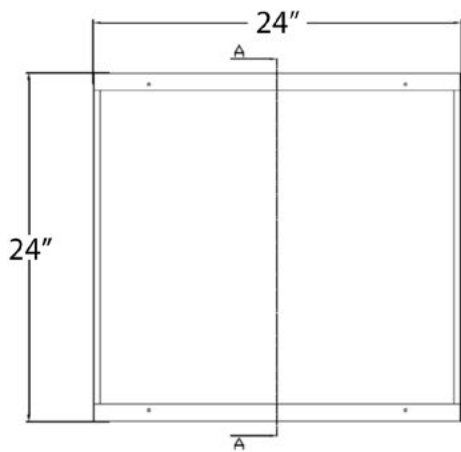
SURFACE MOUNTED KITS SPECIFICATION



1 x 4

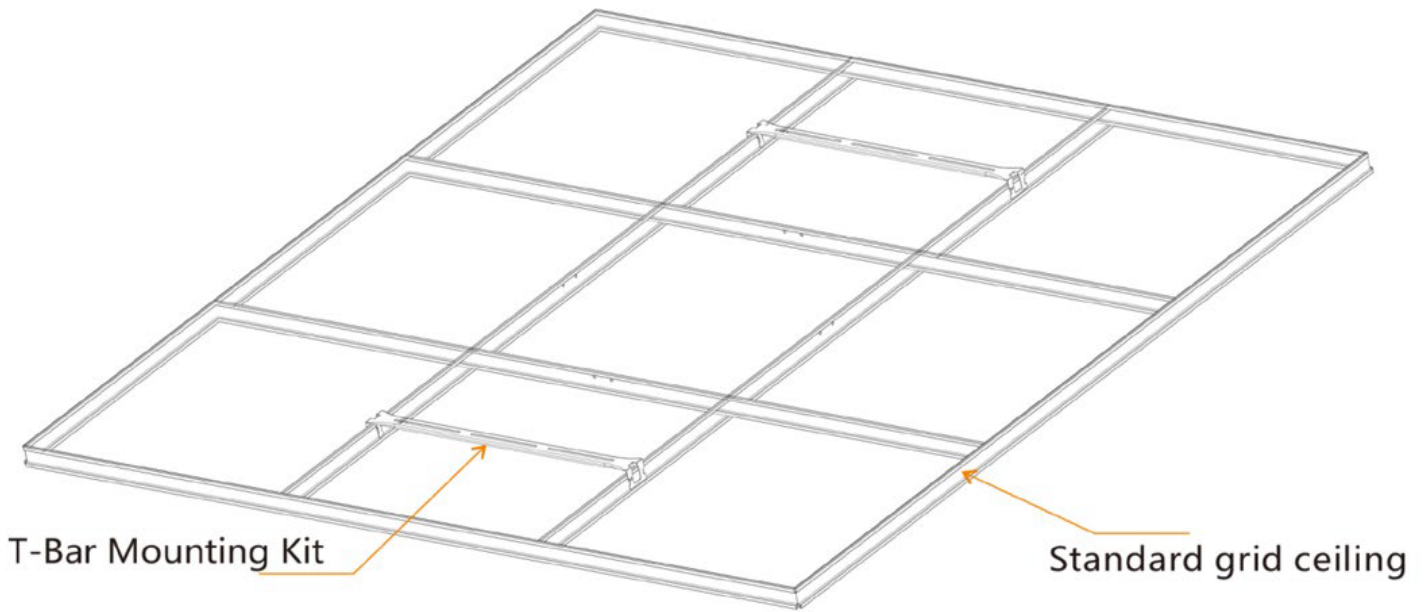


2 x 4

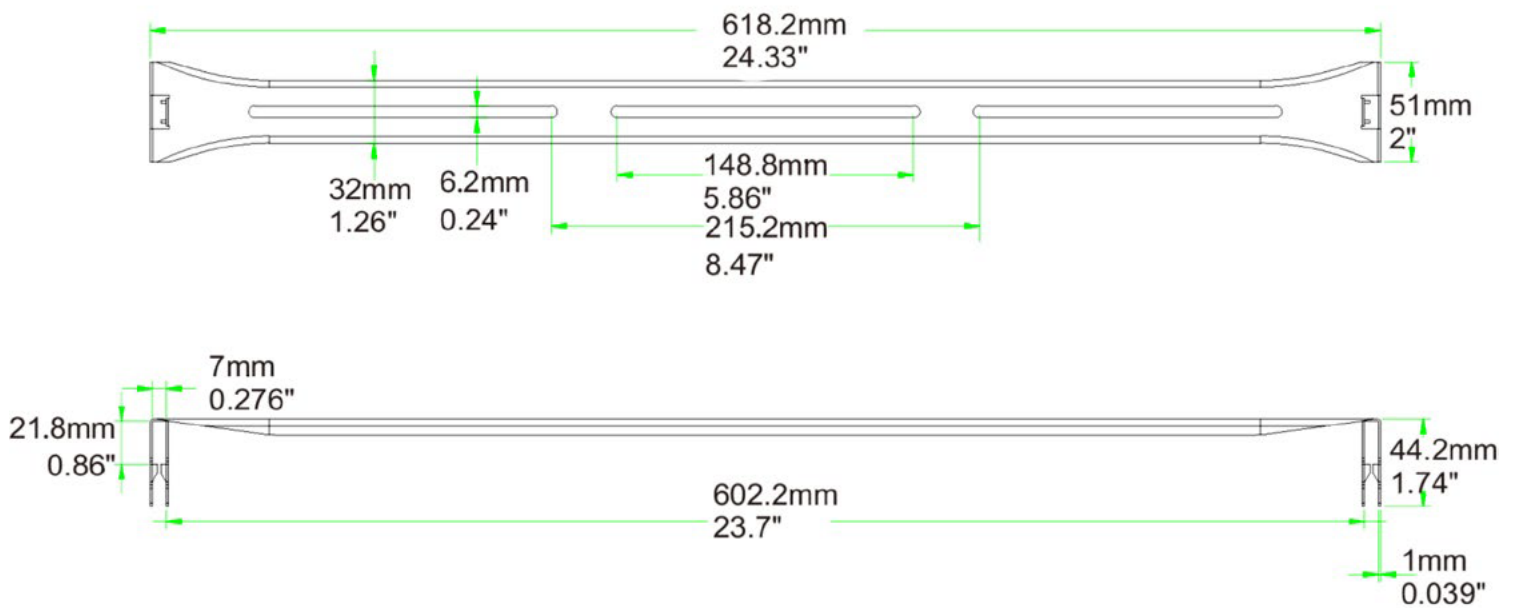


2 x 2

EM T-BAR MOUNTING KIT



DIMENSIONS



PERFORMANCE Data

MODEL	WATTAGE	CCT	LUMEN	EFFICACY (lm/W)	VOLTAGE
NBFP-14-20W-30W-40W	20W, 30W, 40W	3500K, 4000K, 5000K	2600lm, 3900lm, 5200lm	130 lm/W	100-277vac
NBFP-22-20W-30W-40W	20W, 30W, 40W	3500K, 4000K, 5000K	2600lm, 3900lm, 5200lm		
NBFP-24-30W-40W-50W	30W, 40W, 50W	3500K, 4000K, 5000K	3900lm, 5200lm, 6500lm		

SURFACE MOUNTING KITS

NBSMK-14	Surface Mounting Kit for 1x4 Flat Panel
NBSMK-22	Surface Mounting Kit for 2x2 Flat Panel
NBSMK-24	Surface Mounting Kit for 2x4 Flat Panel

ORDERING Format

Sample: **NBFP-24-30W-40W-50W-EMB5**

SERIES	SIZE	WATTAGE	CCT	VOLTAGE
NBFP	1X4 = 14	20watt, 30watt, 40wat	35 = 3500K 40 = 4000K 50 = 5000K	BLANK = 100-277V
NBFP	2X2 = 22	20watt, 30watt, 40wat		
NBFP	2X4 = 24	30watt, 40watt, 50wat		

MOUNTING Options

NBSMK-14	Surface Mounting Kit for 1x4 Flat Panel	EMB5	KT-EMRG-5W	MS	Daylight, OCC & Dimming
NBSMK-22	Surface Mounting Kit for 2x2 Flat Panel	EMB12	KT-EMRG-12W	RC	Programming Tool
NBSMK-24	Surface Mounting Kit for 2x4 Flat Panel	AC	Aircraft Cable 10 FT	BT	Bluetooth Mesh

LED Emergency Back-up Driver | Dual Flex Conduit | 5W Output | 120-277V Input

Driver Type	Constant Wattage LED Emergency
Max. Output Power	5W
Input Voltage	120-277 Vac \pm 10%
Output Voltage	20 ~ 60 Vdc
Output Current	250mA - 86mA
Warranty	5 Years



PRODUCT Features

- Drives LED loads at 5W (nominal) for a minimum of 90 minutes
- Meets FCC Part 15 (Class B) consumer limits
- Short circuit overload and open load protection
- Suitable for dry and damp locations
- Safety: UL 924, Complies with CEC Title 20 Efficiency standards
- Operating temperature: 0°C/32°F to 55°C/131°F
- Input frequency: 50/60 Hz
- Test switch/Charging indicator light and wall plate included
- Battery capacity: High-Temperature, Maintenance-Free, LiFePO4 Battery, 9.6Vdc, 3 cell
- Dual flex conduit fits into ½" knockouts
- Listed for field or factory installation: UL 924 and CSA C22.2 no. 141 emergency lighting compliant
- 3A max. pass-through current

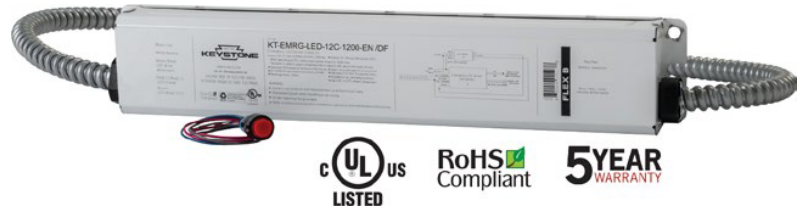
ELECTRICAL Specifications

Family	INPUT CHARACTERISTICS			OUTPUT CHARACTERISTICS		
	Input Voltage	Power Factor	Max. Current	Max. Output Power	Rated Output Current	Output Voltage
5W	120-277Vac	≥0.5	0.050A @ 120V 0.035A @ 240V 0.030A @ 277V	5W	250mA-86mA	20~60Vdc Class 2 Compliant

Emergency pack designed to deliver 5W to a constant current LED load. Approximate output is 500 lumens, assuming a nominal minimum efficacy of 100 lm/W

LED Emergency Back-up Driver | Dual Flex Conduit | 12W Output | 120-277V Input

Driver Type	Constant Wattage LED Emergency
Max. Output Power	12W
Input Voltage	120-277 Vac ±10%
Output Voltage	20 ~ 54 Vdc
Output Current	600mA - 250mA
Warranty	5 Years



PRODUCT Features

- Drives LED loads at 5W (nominal) for a minimum of 90 minutes
- Meets FCC Part 15 (Class B) consumer limits
- Short circuit overload and open load protection
- Suitable for dry and damp locations
- Evaluated to UL 924 standards
- Operating temperature: 0°C/32°F to 55°C/131°F
- Input frequency: 50/60 Hz
- Test switch/Charging indicator light and wall plate included
- LiFePO4 battery: 3 cells, 9.6Vdc
- Dual flex conduit fits into ½" knockouts
- Complies with CEC efficiency standards
- Class 2 output
- Listed for field or factory installation: UL 924 and CSA C22.2 no. 141 emergency lighting compliant

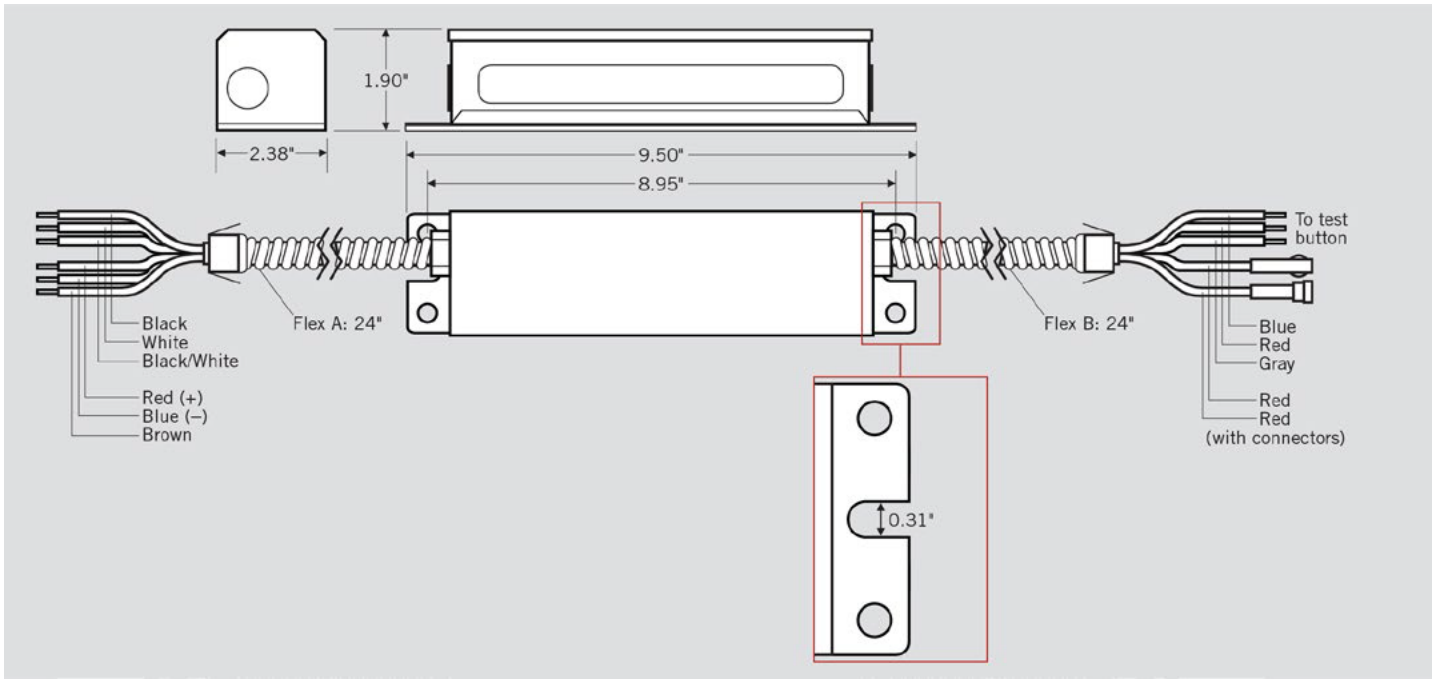
ELECTRICAL Specifications

Family	INPUT CHARACTERISTICS			OUTPUT CHARACTERISTICS		
	Input Voltage	Power Factor	Max. Current	Max. Output Power	Rated Output Current	Output Voltage
12W	120-277Vac	≥0.5	0.050A @ 120V	12W	600mA - 250mA	20~54Vdc

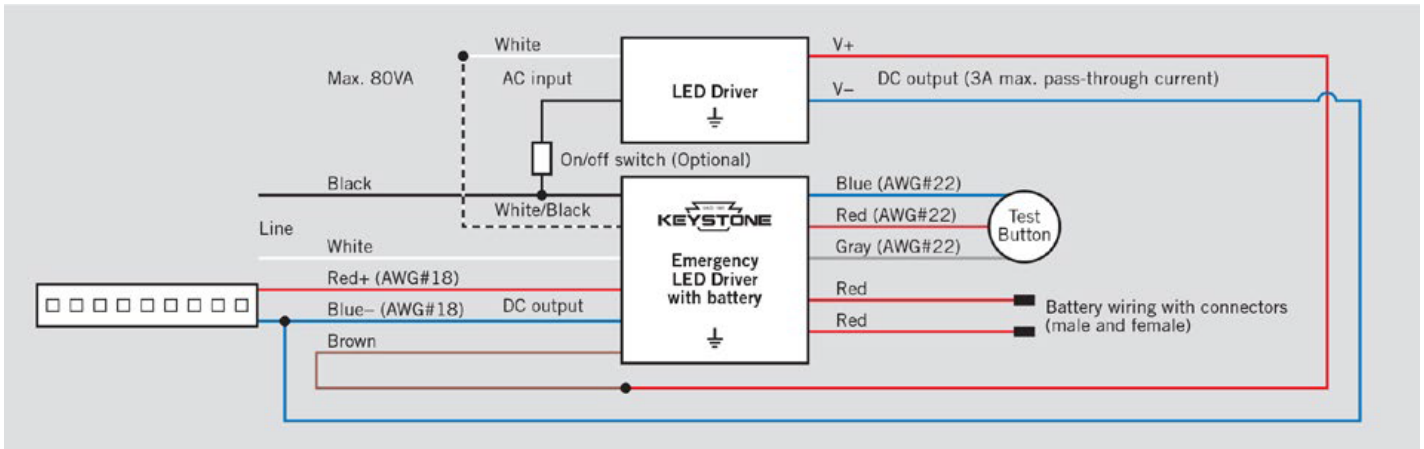
Emergency pack designed to deliver 12W to a constant current LED load. Approximate output is 1200 lumens, assuming a nominal minimum efficacy of 100 lm/W.

Note: Output power will drop slightly when the output voltage is ≥ 49Vdc.

PHYSICAL Specifications



WIRING Specifications



TEST Switch

