



Project Details

PROJECT	
DATE	
TYPE	
PREPARER	



NBPG Parking Garage Fixture is the perfect choice for low level lighting applications like parking garages, gas Stations, business plaza awnings and other general light applications. The low-profile square design offers an anti-glare PC lens, 160-degree ultra-wide beam angle reducing light pollution, along with a Bi-level occupancy sensor and a handheld remote programming tool. The IP65 rated housing is a die cast aluminum for optimal heat dissipation and hinges open for internal access. It comes with knockouts on all 4 sides and one in the back for conduit connections it can be surface, or pendant mounted as well.

SPECIFICATIONS Product Features

Construction

- This fixture has a rugged corrosion resistance housing made of highstrength die-cast aluminum ADC12.
- It offers good heat dissipation performance, and has anti-aging electrostatic spray treatment on the surface, a 6030-aluminum heat sink with anti-static powder coat paint.

Installation & Mounting

- Ceiling Mount
- Pendant Mount

Controls & Dimming

- 0-10 Volt Dimming
- 12 Volt AUX
- Bluetooth Mesh Control
- Bi-level Occupancy Sensor

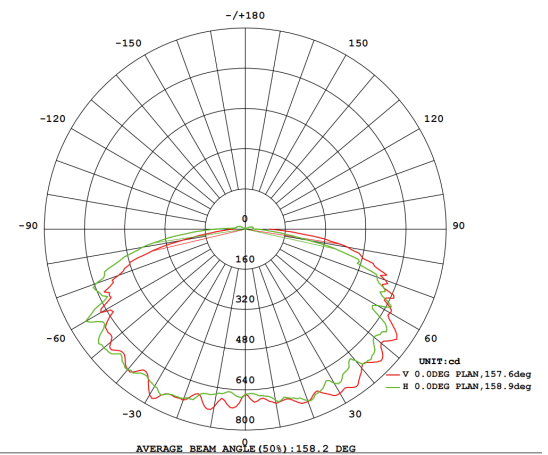
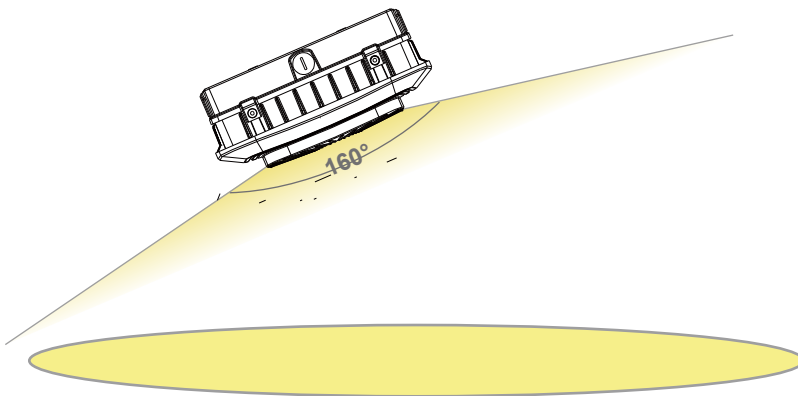
PERFORMANCE Summary

Input Voltage	100-277V
Input Frequency	50/60 Hz
Rated Wattage	30W-50W-75W(Selectable) 100W
Efficacy	130 lm/W
CRI	≥80
Available CCT	3000K, 4000K, 5000K
Rated Life (L70)	50,000 hrs
IP Rating	IP65
PF	≥0.9
Certifications	UL, DLC, CE, RoHS
Working Temp. (°F)	-40°F~125°F
LED Light Source	SMD 3030

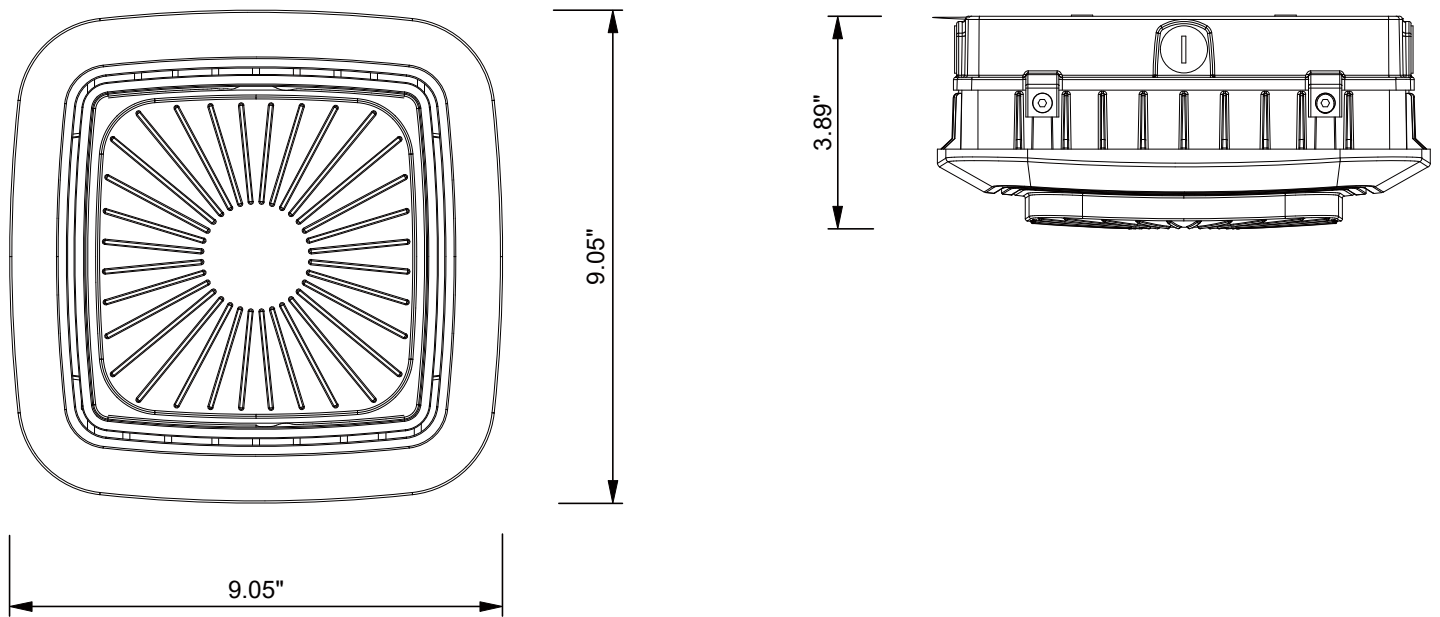


BEAM Angle

160 degree

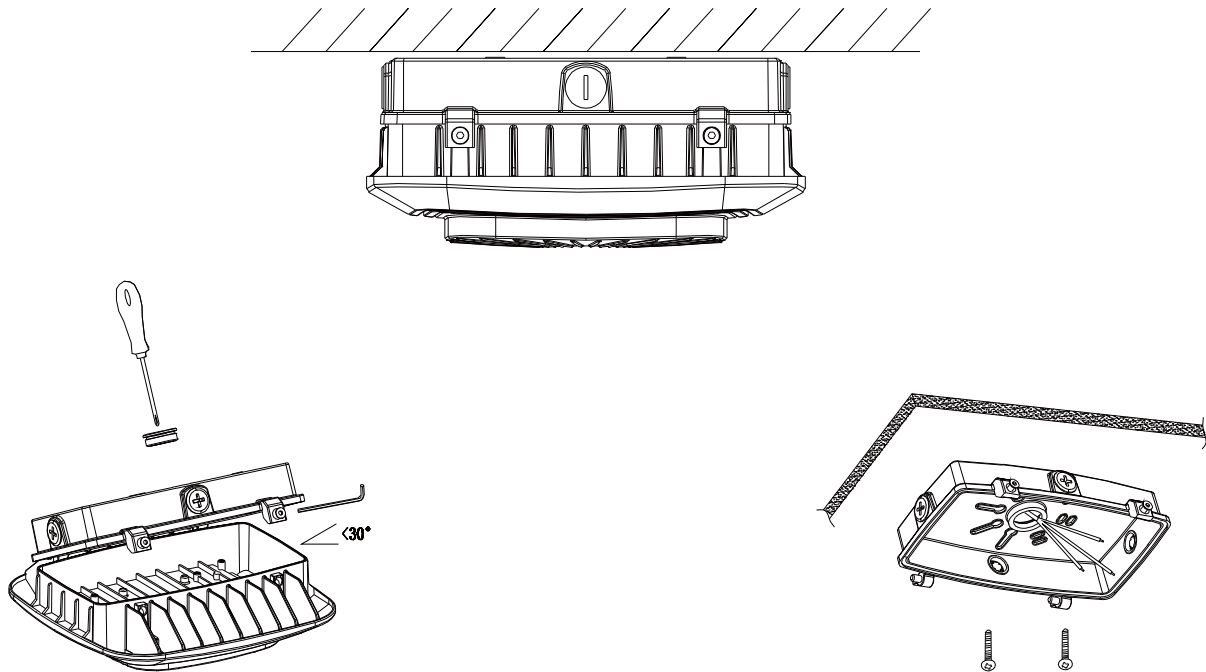


PRODUCT SIZE



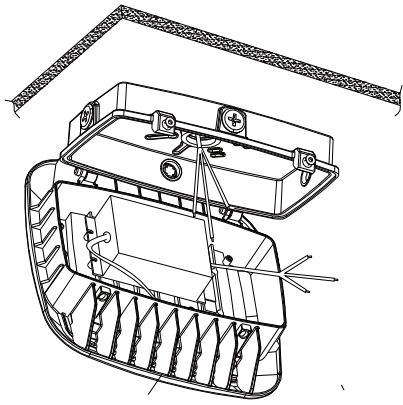
INSTALLATION

Ceiling Mounting

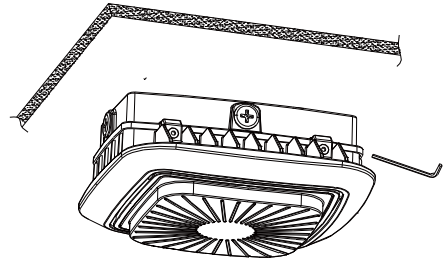


1. Open driver box, separate the back part (driver box cover) from the front part (lamp body), loose 3/4 inch plug on the driver box cover with a screwdriver.

2. Get supply cord through the 3/4 inch hole, then attach driver box cover to ceiling and fix it with customer supplied hardware, take relevant waterproof measures to make sure no water leakage.

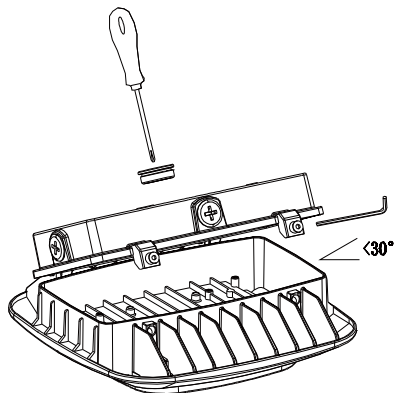
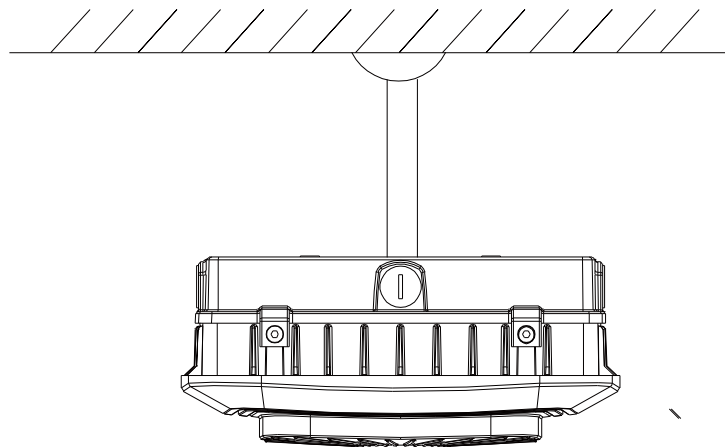


3. Hang the lamp to the driver box cover ,then let it fall naturally , connect the cord to the supply wiring. Set the dimming motion sensor if there is one.

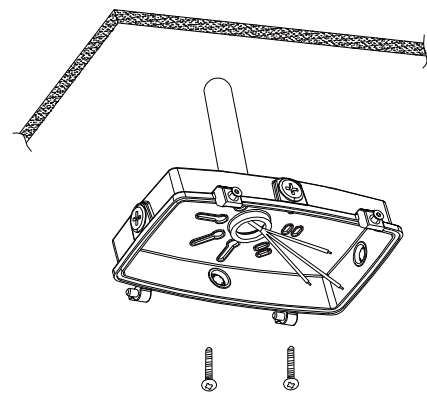


4. Close the fixture and fix the two parts with Allen wrench

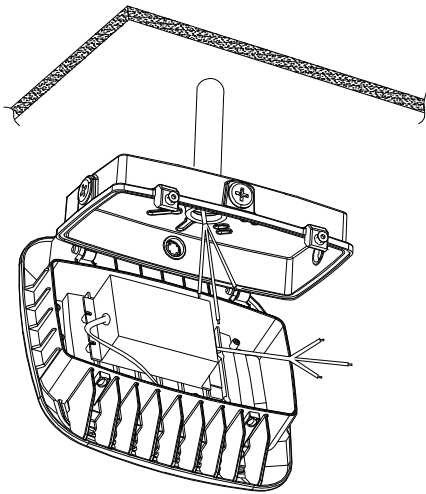
Pendant Mounting



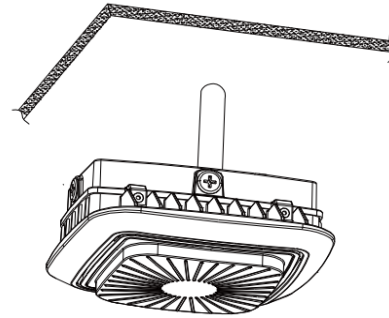
1. Open driver box, separate the back part (driver box cover) from the front part (lamp body) , loose 3/4 inch plug on the driver box cover with a screwdriver



2. Feed power cord thru customer supplied pendant kit, then attach driver box cover to pendant kit , rotate the pendant kit unit it is tighten and locks securely



3. Hang the lamp to the driver box cover ,then let it fall naturally , connect the cord to the supply wiring. Set the dimming motion sensor if there is one.



4. Close the fixture and fix the two parts with Allen wrench

PERFORMANCE Data

MODEL	WATTAGE	CCT	LUMEN	EFFICACY (lm/W)	VOLTAGE
PGC-30W	30watt	3000K, 4000K, 5000K	3,900lm	130 lm/W	100-277vac
PGC-50W	50watt	3000K, 4000K, 5000K	6,500lm	130 lm/W	100-277vac
PGC-75W	75watt	3000K, 4000K, 5000K	9,750lm	130 lm/W	100-277vac
PGC-100W	100watt	3000K, 4000K, 5000K	13,000lm	130 lm/W	100-277vac

* Lumen output base on 5000K

ORDERING Format

Sample: **PGC-75W-50**

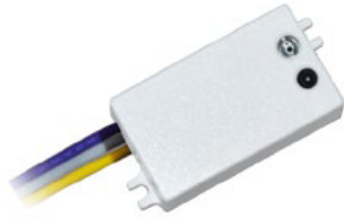
SERIES	WATTAGE	CCT	VOLTAGE	BEAM ANGLE	FINISH*
PGC	30W-50W-75W 100W	30 = 3000K 40 = 4000K 50 = 5000K	BLANK = 100-277V	160°	BLANK = White

* contact the Nebulite sales team for turnaround time and pricing on finish color customizations

MOUNTING Options

CM	Ceiling Mount	ANT-9	Microwave Bi-Level Sensor
PM	Pendant Mount 3/4" Pipe**	RC-100	RC-100 Remote Control

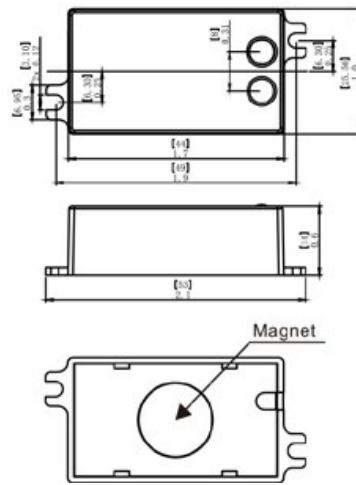
ANT-9 9 Low Voltage Microwave Bi-Level Sensor



ANT-9



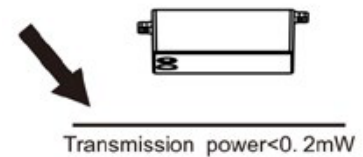
RC-100



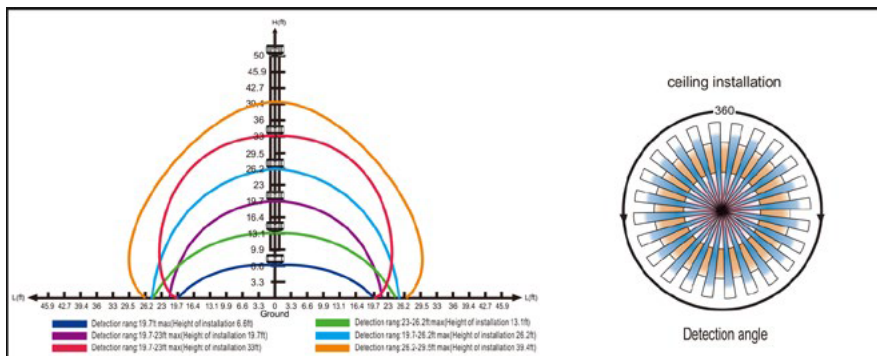
ANT-9

Power supply	12V-24V DC
HF System	5.8GHz±75MHz
Dim control output	0-10V, max. 25mA sinking current
Detection radius	Max 26ft. (8m) / 360°
Mounting height	Max 40ft.
Remote range	50ft. (15m) indoor, no backlight
Humidity	Max. 95% RH
Temperature	-40°F — 158°F (-40°C — 70°C)

NOTE: The high-frequency output of this sensor is <math><0.2\text{mW}</math> - that is just one 5000th of the transmission power of a mobile phone or the output of a microwave oven.



SENSOR Coverage

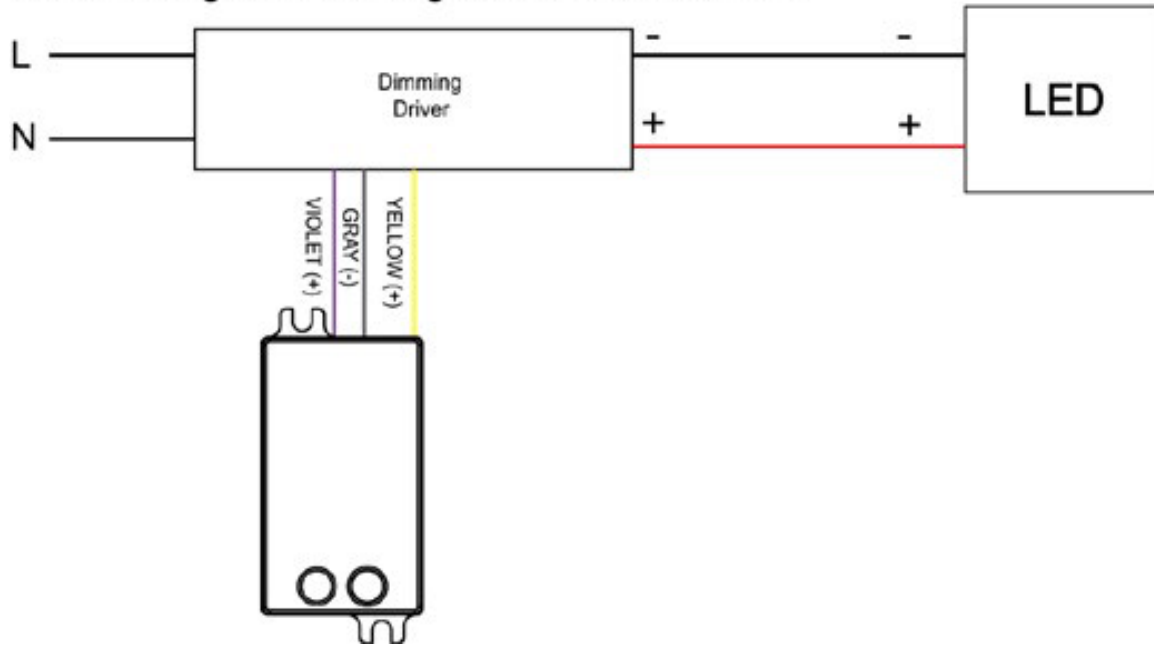


Once powering the device up, the ANT-9 will use factory default parameters to operate. If adjustments are needed, "RC-100" Wireless IR Configuration tool must be used.

ANT-9 is a moving object sensor that can detect range of 360' and it's working frequency is 5.8GHz. The advantage of this product is stable working state (stable working temperature: -40°C-+70°C), ANT-9 adopts a microwave sensor (high-frequency output <0.2mW),so that it is safe and performs better than infrared sensor.

WIRING Diagrams

ANT-9 wiring with dimming ballast or LED driver.

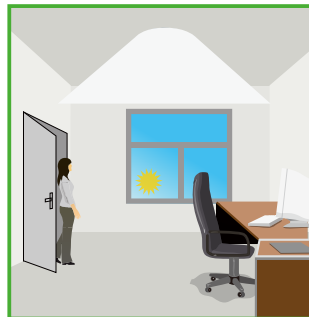


FUNCTION and Options

If offers 3 levels of the light Control : 100%--dimming light (0,10%,30%,50%)/off; Periods of selectable waiting time: motion hold-time and 24hours, selectable daylight threshold, and freedom of detection area. If natural light lower Light-control setting (10Lux,30Lux,50Lux),the light will not automatically on (0,10%,30%,50%/0). When person enter in the room, the light will on 100c10,after person left the room, the room enter in stand by level after hold on time.



With sufficient natural light, the light does not switch on when presence detected.



With insufficient natural light, the sensor switches on the light automatically when person enters the (options) standby level after the room. The lamp never switches off with presence, even if the natural light is sufficient.



People left, light still dims to 0/10%/30%/50%(options) standby level after the hold time.



Light switches off automatically after the dimming time elapsed.