



# Constitution Series Roadway Light



## PROJECT INFORMATION

JOB NAME	
FIXTURE TYPE	Roadway Light
CATALOG NUMBER	RW
APPROVED BY	

## SPECIFICATIONS

### Construction:

This luminaire performs efficiently and reliably against rugged outdoor environment. Constructed of die-cast aluminum, this street light is designed to optimize heat dissipation..

### Optics:

The uniquely designed LED street light luminaire is a combination of advanced technology and functional design that is incorporated with a high efficiency LED module and precise optics control..

### Mounting:

Fits pipe with an outside diameter of 2" to 2 3/8"

### Thermal Management:

Atlas roadway lights are designed as a complete system to optimize LED life and light output. The thermal stacking heat removal technology extracts heat from within the housing moving it away from LEDs and components. The lower temperatures result in long LED life (200,000+ hrs\*) and component life and also allows for higher light output.

### Listings:

Luminaire is certified to UL/cUL Standards for Wet Locations DesignLights Consortium qualified. All are eligible for rebates from DLC member utilities.

**AC Input:** 120/208/240/277/347/480 V

### Driver:

Constant current, 120-277 VAC, 50-60 Hz  
High Efficiency – min. 88%  
O-State Power: 0 Watts  
0-10 V Dimming

### LEDs:

Available in 4000K, 4500K and 5000K CCT  
Epoxy Guard™ protective conformal coated boards

### Reduced Glare:

Positioning of the LED modules within the housing result in light directed to desired locations and reduces offensive light.

### Testing:

Atlas LED luminaires have been tested by an independent laboratory in accordance with IESNA LM-79 & LM-80.

**Warranty:** Five-year limited warranty

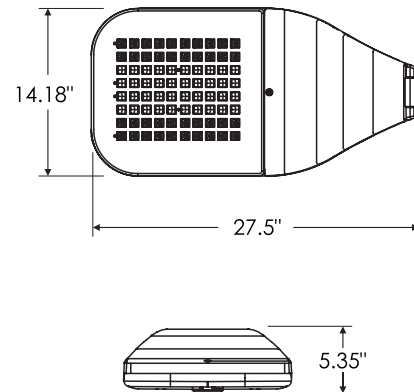
7 Pin Photocell Receptacle standard

Surge Protection standard



## DIMENSIONS

Weight: XX lbs.



\*The majority of Atlas Lighting Products are assembled in USA facilities by an American Workforce utilizing both Domestic and Foreign components. Meets Buy American requirements within the ARRA.



# Constitution Series

## Roadway Light



### ORDERING INFORMATION

RW	8L	T2	4K					PRSP
PRODUCT SERIES	LUMEN PACKAGE	DISTRIBUTION	COLOR TEMP.	VOLTAGE	DIMMING	COLOR RENDERING	FIXTURE COLOR	OPTIONS
RW = Roadway Light	8L = 8,000 Lumens 14L = 14,000 Lumens 23L = 23,000 Lumens	T2 = Type II <sup>1</sup> T3 = Type III T5 = Type IV <sup>1</sup> FT = Forward Throw <sup>1</sup>	4K = 4000K 45K = 4500K <sup>2</sup> 5K = 5000K	Blank = 120-277 4 = 347/480	Blank = 0-10vdc	Blank = 70CRI	Blank = Gray	PR = 7 Pin Photocell Receptacle SP = Surge Protection
<sup>1</sup> 8L and 14L only   <sup>2</sup> T2, T5 and FT only								

### PERFORMANCE DATA

LUMEN PACKAGE	DISTRIBUTION	CRI	4000K CCT		4500K CCT		5000K CCT		WATTAGE	REPLACES UP TO
			DELIVERED LUMENS	EFFICACY (LPW)	DELIVERED LUMENS	EFFICACY (LPW)	DELIVERED LUMENS	EFFICACY (LPW)		
8L	Type II	70	7,615	154	7,509	152	7,572	154	49	175W MH
	Type III	70	8,193	132	n/a	n/a	8,238	130	64	
	Forward Throw	70	7,387	150	7,345	149	7,326	148	49	
	Type V	70	7,632	155	7,588	154	7,526	153	49	
14L	Type II	70	13,289	146	13,079	144	12,872	142	91	250W MH
	Type III	70	13,850	116	n/a	n/a	14,070	115	122	
	Forward Throw	70	13,007	143	12,801	141	12,807	141	98	
	Type V	70	13,315	147	13,110	144	12,908	142	91	
23L	Type III	70	22,230	119	n/a	n/a	22,360	120	187	400W MH

### DLC PRODUCT INFORMATION:

LUMEN PACKAGE	DISTRIBUTION	4000K CCT		4500K CCT		5000K CCT	
		DLC PRODUCT ID	CLASSIFICATION	DLC PRODUCT ID	CLASSIFICATION	DLC PRODUCT ID	CLASSIFICATION
8L	Type II	PVUC2WS5	Standard	PWA4Z4DF	Standard	PXHL1D1A	Standard
	Type III	P7FW08WC	Standard	n/a	n/a	PDO9BHH2	Standard
	Forward Throw	PDSI9PB1	Standard	P1VRSNYT	Standard	PZJE4CWN	Standard
	Type V	PDTWS34T	Standard	PE0ZBHPV	Standard	PULTY5W1	Standard
14L	Type II	P7STEQT1	Standard	PPME1KVF	Standard	P9ATC71Q	Standard
	Type III	PRJADB9R	Standard	n/a	n/a	PDGP7ITD	Standard
	Forward Throw	PWN6VL67	Standard	PJ2UQYYP	Standard	PCUA9GXY	Standard
	Type V	PBVHM66B	Standard	P5MY44R6	Standard	PZO6WRN4	Standard
23L	Type III	PHHWJ3B2	Standard	n/a	n/a	PQB1GS72	Standard

The majority of Atlas Lighting Products are assembled in USA facilities by an American Workforce utilizing both Domestic and Foreign components. Meets Buy American requirements within the ARRA.